

FLOOR-EQUIPMENT-PARTS.COM

5100

**Electric Automatic Scrubber
Fregadora Automática Eléctrico**

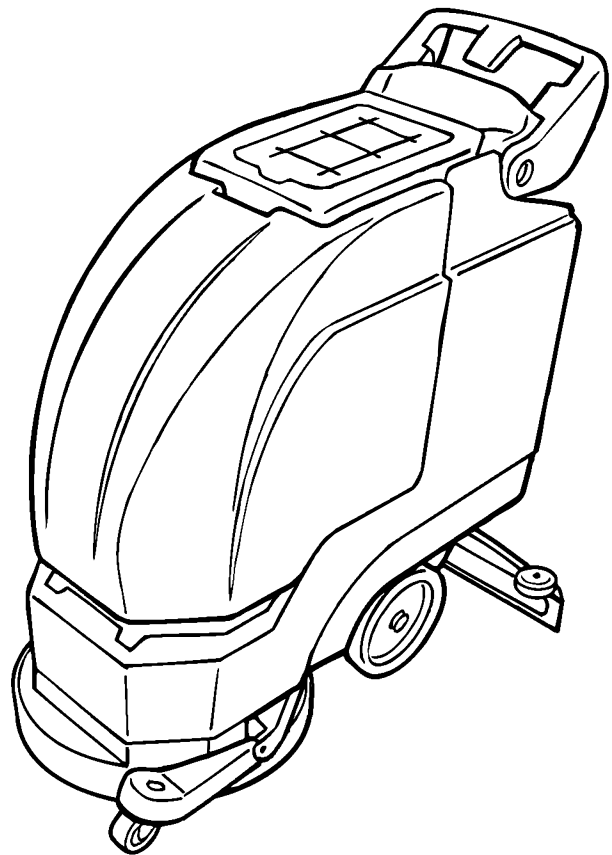
Model No.:

613745 - 220V

609454 - 230V

609677 - 240V EMC

**Operator and Parts Manual
Manual del Operador y Piezas**



**609637
Rev. 01 (05-05)**

OPERATION

This manual is furnished with each new model. It provides necessary operation, maintenance instructions and an illustrated parts list.

Read this manual completely and understand the machine before operating or servicing.

When ordering replacement parts use the parts lists section in this manual. Before ordering parts or supplies, be sure to have your machine model number and serial number handy. Parts and supplies may be ordered by phone or mail from any authorized Service Center or Distributor.

This machine will provide excellent service. However, the best results will be obtained at minimum costs if:

- The machine is operated with reasonable care.
- The machine is maintained regularly - per the machine maintenance instructions provided.
- The machine is maintained with manufacturer supplied or equivalent parts.

MACHINE DATA

Please fill out at time of installation for future reference.

Model No.- _____

Install. Date - _____

Serial No.- _____

Tennant Company

PO Box 1452

Minneapolis, MN 55440

Phone: (800) 553-8033 or (763) 513-2850

www.tennantco.com

Specifications and parts are subject to change without notice.

Copyright ©2000, 2005 Tennant Company. All rights reserved.
Printed in U.S.A.

TABLE OF CONTENTS (ESPAÑOL ÍNDICE...18)


SAFETY PRECAUTIONS	3	MAINTENANCE	13
GROUNDING INSTRUCTIONS	4	TRANSPORTING MACHINE	14
SAFETY LABELS	4	STORING MACHINE	14
MACHINE COMPONENTS	5	RECOMMENDED STOCK ITEMS	14
CONTROL PANEL SYMBOLS	5	TROUBLE SHOOTING	15
MACHINE INSTALLATION	6	SPECIFICATIONS	16
UNCRATING MACHINE	6	MACHINE DIMENSIONS	16
MACHINE SETUP	6	ELECTRICAL DIAGRAMS	36
ATTACHING SQUEEGEE ASSEMBLY	6	PARTS LIST	40
INSTALLING PAD DRIVER OR BRUSH	7	REPLACEMENT BRUSHES AND PAD	
REMOVING PAD DRIVER OR BRUSH	8	DRIVER GROUP	40
FILLING SOLUTION TANK	8	SOLUTION TANK GROUP	42
ADJUSTING CONTROL HANDLE HEIGHT	9	RECOVERY TANK GROUP	44
MACHINE OPERATION	9	CONTROL HANDLE GROUP	46
PRE-OPERATION CHECKS	9	CONTROL CONSOLE GROUP	48
SCRUBBING WITH MACHINE	9	WHEEL GROUP	50
OPERATING ES™ OPTION	10	SCRUB HEAD GROUP	52
WHILE OPERATING MACHINE	10	PLUMBING GROUP	54
OPERATING ACCESSORY TOOLS	11	VACUUM MOTOR GROUP	56
CIRCUIT BREAKER	11	SQUEEGEE GROUP	58
MACHINE ADJUSTMENTS	11	OPTIONS	60
ADJUSTING SOLUTION FLOW	11	ES™ (EXTENDED SCRUB) KIT	60
ADJUSTING PAD PRESSURE	12	WAND PUMP KIT	62
ADJUSTING SQUEEGEE LIFT CABLE	12	DELUXE POWER WAND GROUP	64
DRAINING TANKS	12	POWER WAND GROUP	66
DRAINING RECOVERY TANK	12	WET PICK-UP TOOL KIT	68
DRAINING SOLUTION TANK	13	POWER WAND HOSE GROUP	69

SAFETY PRECAUTIONS

This machine is intended for commercial use. It is designed exclusively to scrub hard floors in an indoor environment and is not constructed for any other use. Use only recommended pads, brushes and commercially available floor cleaners intended for machine application.

All operators must read, understand and practice the following safety precautions.

The following warning alert symbol and the "FOR SAFETY" heading are used throughout this manual as indicated in their description:

 **WARNING:** To warn of hazards or unsafe practices which could result in severe personal injury or death.

FOR SAFETY: To identify actions which must be followed for safe operation of equipment.

Failure to follow these warnings may result in: personal injury, electrocution, electrical shock, fire or explosion.

 **WARNING:** Do Not Use Flammable Liquids Or Operate Machine In Or Near Flammable Liquids, Vapors Or Combustible Dusts.

This machine is not equipped with explosion proof motors. The electric motors will spark upon start up and during operation which could cause a flash fire or explosion if machine is used in an area where flammable vapors/liquids or combustible dusts are present.

 **WARNING:** Do Not Pick Up Flammable Materials Or Reactive Metals.

 **WARNING:** Do Not Operate With Damaged Power Cord. Do Not Modify Plug. Unplug power Cord Before Servicing Machine.

If the supply cord is damaged or broken, it must be replaced by the manufacturer or it's service agent or a similarly qualified person in order to avoid a hazard.

 **WARNING:** Do Not Use Outdoors. Do Not Expose To Rain. Store Indoors.

The following information signals potentially dangerous conditions to the operator or equipment:

FOR SAFETY:

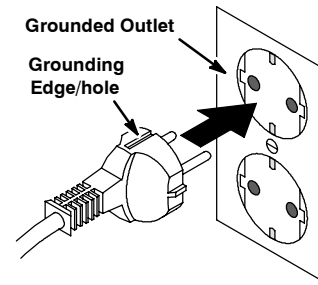
1. Do not operate machine:
 - With flammable liquids or near flammable vapors as an explosion or flash fire may occur.
 - Unless trained and authorized.
 - Unless operator manual is read and understood.
 - Unless cord is properly grounded.
 - With damaged cord or plug.
 - If not in proper operating condition.
 - In outdoor areas.
 - In standing water.
 - With the use of an extension cord.
2. Before operating machine:
 - Make sure all safety devices are in place and operate properly.
3. When using machine:
 - Do not run machine over cord.
 - Do not pull machine by plug or cord.
 - Do not pull cord around sharp edges or corners.
 - Do not unplug by pulling on cord.
 - Do not stretch cord.
 - Do not handle plug with wet hands.
 - Keep cord away from heated surfaces.
 - Go slow on inclines and slippery surfaces.
 - Wear no-slip shoes.
 - Use care when reversing machine.
 - Report machine damage or faulty operation immediately.
 - Never allow children to play on or around.
 - Follow mixing and handling instructions on chemical containers.
4. Before leaving or servicing machine:
 - Stop on level surface.
 - Turn off machine.
 - Unplug cord from wall outlet.
5. When servicing machine:
 - Unplug cord from wall outlet.
 - Avoid moving parts. Do not wear loose jackets, shirts, or sleeves.

OPERATION

- Block machine tires before jacking up.
 - Use hoist or jack that will support the weight of the machine.
 - Use manufacturer supplied or approved replacement parts.
 - All repairs must be performed by a qualified service person.
 - Do not modify the machine from its original design.
6. When transporting machine:
- Turn machine off.
 - Get assistance when lifting machine.
 - Unplug cord from wall outlet.
 - Use a recommended ramp when loading/unloading into/off truck or trailer.
 - Use tie-down straps to secure machine to truck or trailer.

GROUNDING INSTRUCTIONS

Machine must be grounded. If it should malfunction or breakdown, grounding provides a path of least resistance for electrical current to reduce the risk of electrical shock. This machine is equipped with a cord having an equipment-grounding conductor and grounding plug. The plug must be plugged into an appropriate outlet that is properly installed in accordance with all local codes and ordinances. Do not remove ground pin; if missing, replace plug before use.



(220V/230V/240V)

SAFETY LABELS

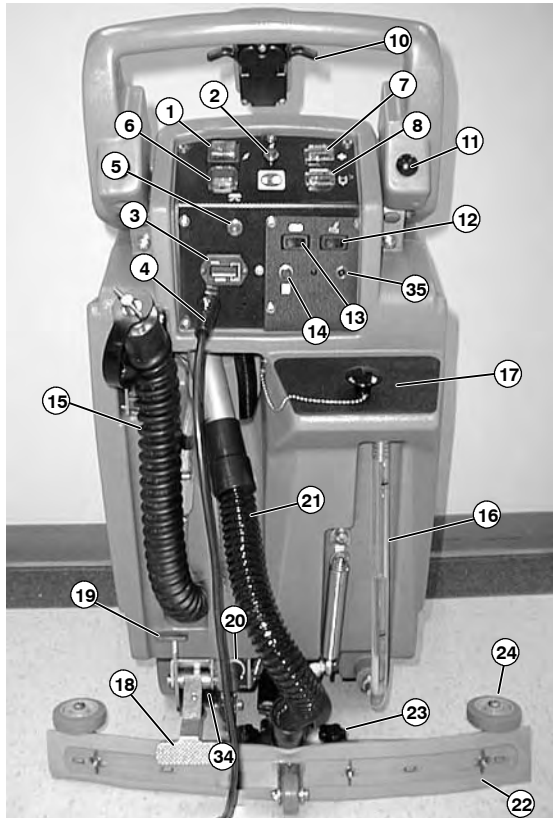
The safety label appears on the machine in the location indicated. Replace label if it becomes damaged or illegible.



WARNING LABEL - LOCATED ON TOP OF THE RECOVERY TANK.



MACHINE COMPONENTS



- | | | |
|--|------------------------------------|---|
| 1. Power ON/OFF switch | 13. ES™ Kit ON/OFF Switch (Option) | 25. Control Handle |
| 2. Power ON/OFF Indicator Light | 14. ES™ Pump Light (Option) | 26. Recovery Tank Lid |
| 3. Hour Meter (Option) | 15. Recovery Tank Drain Hose | 27. Recovery Tank |
| 4. Power Cord | 16. Solution Tank Drain Hose | 28. Scrub Head |
| 5. Brush Circuit Breaker | 17. Solution Fill Port | 29. Scrub Head Skirt |
| 6. Brush Release Button | 18. Scrub Head Lift Pedal | 30. Transport Caster |
| 7. Vacuum ON/OFF Switch | 19. Scrub Head Release Lift Pedal | 31. Main Wheels |
| 8. Solution ON/OFF Switch | 20. Solution Flow Adjustment Knob | 32. Wand Kit Solution Hose Coupler (Option) |
| 9. Squeegee Lift Knob | 21. Squeegee Vacuum Hose | 33. Solution Tank |
| 10. Brush Trigger | 22. Squeegee Assembly | 34. Pad Pressure Adjustment Knob |
| 11. Control Handle Height Adjustment Knobs | 23. Squeegee Thumb Knobs | 35. ES™ Wand Circuit Breaker (Option) |
| 12. Wand Kit ON/OFF Switch (Option) | 24. Wall Rollers | |

CONTROL PANEL SYMBOLS



Main Power



Solution Switch



Read Manual Before Operating



Extended Scrub Switch (Option)



Vacuum Switch



Brush Motor 4.5A Circuit Breaker



Wand Switch (Option)



Extended Scrub Pump Light (Option)

OPERATION

MACHINE INSTALLATION

UNCRATING MACHINE

Carefully check carton for signs of damage. Report any damage at once to carrier.

To uncrate your machine, remove shipping straps and carefully lift or make a ramp to remove machine from pallet.

Raise scrub head to transport position before maneuvering machine. Step down firmly on scrub head lift pedal to raise (Figure 1).

NOTE: To prevent scrub head skirt damage, always keep machine in transport position when pad driver is not installed.



FIG. 1

ATTENTION: Do not roll machine off pallet, damage may occur.

Squeegee assembly is packaged with machine.

Brushes, pad driver and pads must be purchased separately. Consult an authorized distributor for specific pads and brushes.

ATTENTION: The use of supplies other than those recommended by manufacturer may cause damage.

MACHINE SETUP

ATTACHING SQUEEGEE ASSEMBLY

1. Raise squeegee mount bracket by moving squeegee lift knob to the left (Figure 2).



FIG. 2

2. Loosen two thumb knobs on squeegee assembly and slide squeegee into slots on squeegee mount bracket (Figure 3).

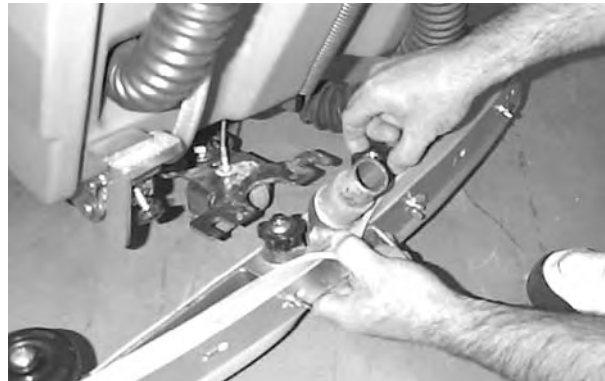


FIG. 3

3. Tighten thumb knobs securely.
4. Connect vacuum hose from machine to squeegee assembly (Figure 4).



FIG. 4

INSTALLING PAD DRIVER OR BRUSH

1. Select recommended pad or brush that best meets your cleaning needs.

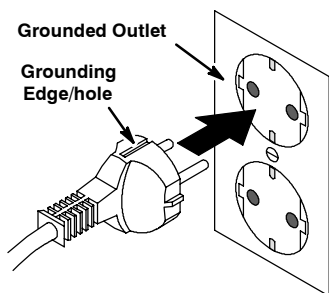
NOTE: Consult an authorized distributor for pad/brush recommendations.

2. Attach pad to pad driver before mounting driver to motor hub. Secure pad with plastic centerlock ring (Figure 5).



FIG. 5

3. Plug power cord into a grounded wall outlet (Figure 6).



(220V/230V/240V)

FIG. 6

FOR SAFETY: Do not operate machine unless cord is properly grounded.

4. Turn main power switch on (Figure 7).



FIG. 7

5. Place the pad driver/brush on the floor in front of the scrub head (Figure 8).



FIG. 8

6. Tilt the machine back on its rear wheels and center the scrub head down over the pad driver/brush (Figure 8).
7. **IMPORTANT STEP:** Release the brush lift pedal from the transport position (Figure 9). Align the motor hub down inside the pad driver/brush.



FIG. 9

8. Pull the triggers to engage the pad driver/brush (Figure 10). **Make sure the front wheel is in the UP position.**

NOTE: When a pad driver/brush is not installed, make sure to keep the machine in the transport position to prevent skirt damage.



FIG. 10

NOTE: Before installing pad driver or brush make sure mounting surface is clean. A clean surface will ease pad driver removal later.

OPERATION

REMOVING PAD DRIVER OR BRUSH

1. Raise scrub head to transport position. Step down firmly on scrub head lift pedal to raise (Figure 11).



FIG. 11

2. Turn main power switch on.
3. Tilt machine back on it's rear wheels.
4. While pressing the "brush release button", pull and release the brush trigger quickly. The pad driver/brush will automatically spin off motor hub. If it doesn't release, repeat step (Figure 12).



FIG. 12

NOTE: To prevent scrub head skirt damage, always keep machine in transport position when pad driver or brush is not installed.

FILLING SOLUTION TANK

1. Transport machine to filling station. Raise squeegee and scrub head when transporting.
2. Turn off main power switch.
3. Remove solution tank fill port cover.
4. Fill solution tank with 7.5 gallons (28L) of clean water (140°F/60°C max.) (Figure 13).



FIG. 13

NOTE: If filling with a bucket be certain that bucket is clean. This will prevent possible solution line clogs.

5. Add cleaning chemical. See proper dilution ratio instructions on chemical container.
6. Replace solution tank fill port cover.

ATTENTION: Use only recommended detergents. Machine damage due to improper detergent usage will void the manufacturer's warranty. Contact your Sale Representative for detergent recommendations.

⚠ WARNING: Do Not Use Flammable Liquids Or Operate Machine In Or Near Flammable Liquids, Vapors Or Combustible Dusts.

7. If machine is equipped with ES™ (Extended Scrub) option, the recovery tank can be partially filled to extend scrub time.
 - a. Remove recovery tank lid and fill tank with 3.5 gallons (13L) of clean water (140°F/ 60°C maximum temperature). Close lid.
 - b. Turn on ES™ switch when operating machine (Figure 14).



FIG. 14

- c. The ES™ light will glow when the ES™ pump is recycling.

ADJUSTING CONTROL HANDLE HEIGHT

The control handle has three height settings to accommodate a comfortable operating height.

1. Locate two control handle height adjustments knobs on handle (Figure 15).
2. Pull both knobs and raise or lower handle, release knobs to lock.



FIG. 15

MACHINE OPERATION

FOR SAFETY: Do not operate machine unless operator manual is read and understood.

PRE-OPERATION CHECKS

- Sweep and dust mop floor to remove particles and other debris.
- Check power cord for damage. Replace immediately if damaged.
- Check condition of pad or brush.
- Check condition of squeegee blades.

SCRUBBING WITH MACHINE

1. Release brush lift pedal from transport position by stepping down on scrub head release pedal (Figure 16).



FIG. 16

2. Lower squeegee assembly by moving squeegee lift knob to the right (Figure 17).



FIG. 17

3. Turn on main power, vacuum and solution switches (Figure 18).



FIG. 18

NOTE: The solution flow and brush will not start until brush triggers are pulled.

OPERATION

4. Pull brush triggers and begin walking with machine. The brush will propel the machine forward allowing little effort maneuvering the machine (Figure 19).



FIG. 19

NOTE: On rough surfaces it may be necessary to reduce brush pressure to avoid brush circuit breaker from tripping. See *ADJUSTING PAD PRESSURE*.

ATTENTION: To prevent possible floor damage and brush circuit breakers from tripping, do not operate brush pressure meter in red zone.

5. To operate machine in reverse, simply pull the machine backwards while pulling triggers.
6. To stop scrubbing, release brush triggers, turn off all switches, and raise scrub head and squeegee.

OPERATING ES™ OPTION

ES™ (Extended Scrub) Option allows the operator more scrubbing time by reusing recovered water. The recovered water is filtered and recycled back into the solution tank for reuse.

1. Fill recovery tank with 3.5 gal. (13L) when filling solution tank.
2. Turn on ES™ switch. During operation the ES™ pump will automatically start recycling when the ES™ pump light turns on (Figure 20).

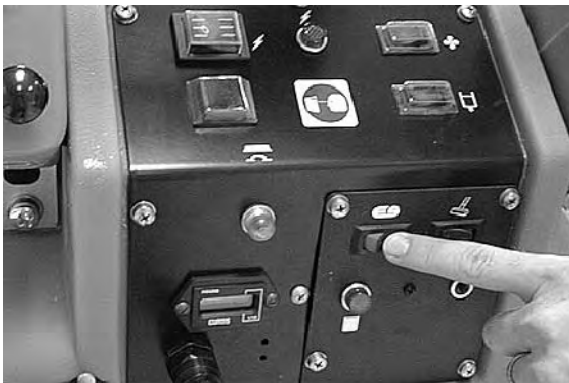


FIG. 20

3. When finished scrubbing, drain and rinse both tanks and clean ES™ filter (See *DRAINING TANKS*).

WHILE OPERATING MACHINE

⚠ WARNING: Do Not Pick Up Flammable Materials Or Reactive Metals.

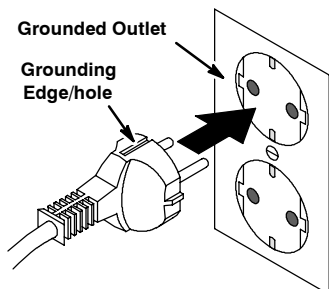
1. Exercise the SAFETY PRECAUTIONS.
2. Work away from wall outlet and power cord to prevent cord damage.
3. Observe amount of solution flow on floor. If necessary adjust to desired flow. See *MACHINE ADJUSTMENTS*.
4. Periodically check for foam buildup in recovery tank (*look through clear lid*). If excessive foam is developing, pour a recommended foam control solution into recovery tank.

ATTENTION: Do not allow foam or water to enter ball float screen. Foam will not activate ball float. Vacuum motor damage due to foam or water is not covered by warranty.

5. Always operate with caution when scrubbing around walls or obstacles.
6. If squeegee leaves streaks, raise and wipe blades with a cloth. Pre-sweep area to prevent streaking. If squeegee adjustment is necessary, see *MACHINE ADJUSTMENTS*.
7. Overlap each pass by 2" (5cm).
8. Change or turn over pads when dirty.
9. Stay clear of floor obstructions, such as electrical plates or grates, they will destroy pads.
10. During brief stops, simply release triggers and the brush and solution flow will stop automatically.
11. On last scrubbing pass, turn off solution switch just prior to stopping machine.
12. When solution tank runs dry, drain recovery tank. (See *DRAINING TANKS*).

OPERATING ACCESSORY TOOLS (OPTIONAL)

1. Attach accessory solution hose to quick coupler.
2. Disconnect squeegee hose from inlet tube and replace with accessory vacuum hose.
3. Connect hoses to wand.
4. Plug power cord into a grounded wall outlet (Figure 21).



(220V/230V/240V)

FIG. 21

FOR SAFETY: Do not operate machine unless cord is properly grounded.

5. Turn on main power, wand pump and vacuum switches (Figure 22).



FIG. 22

6. Operate tool as normal.

⚠ WARNING: Do Not Pick Up Flammable Materials Or Reactive Metals.

CIRCUIT BREAKER

The model is equipped with a circuit breaker to protect brush motor from damage.

Brush motor circuit breaker will trip due to excessive overload on pad. Reduce pad pressure or replace pad if breaker trips. Circuit breaker is located on control console (Figure 23).

If circuit breaker should trip, the breakers will not reset immediately upon tripping. Determine reason why breaker tripped, wait a few minutes and reset (See TROUBLE SHOOTING).



FIG. 23

MACHINE ADJUSTMENTS

FOR SAFETY: Before leaving or servicing machine, stop on level surface, turn off machine and unplug cord from wall outlet.

ADJUSTING SOLUTION FLOW

To increase or decrease the maximum solution flow, turn adjustment knob. Adjustment knob is located near brush lift pedal (Figure 24).



FIG. 24

OPERATION

ADJUSTING PAD PRESSURE

NOTE: On rough surfaces it may be necessary to reduce brush pressure.

To adjust pad pressure, turn adjustment knob counterclockwise to decrease or clockwise to increase pressure. Adjustment knob is located below brush lift pedal (Figure 25).



FIG. 25

ADJUSTING SQUEEGEE LIFT CABLE

To adjust squeegee lift cable, loosen lock nuts and turn adjustment stem on squeegee cable. Retighten lock nuts after adjusting (Figure 26).

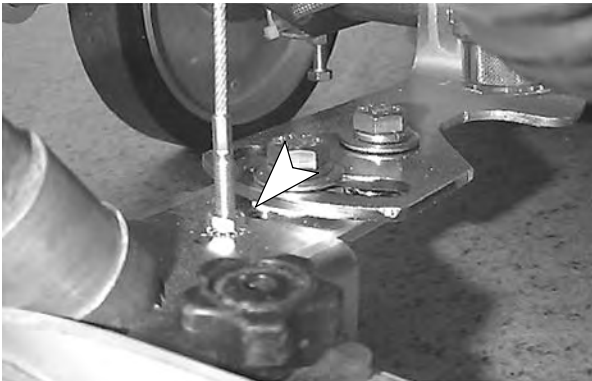


FIG. 26

DRAINING TANKS

When to drain recovery tank:

- After each use.
- Between solution tank fill ups.
- When solution flow stops during operation.
- When ball float screen is activated.
- When squeegee starts trailing water.

NOTE: If using the ES™ recycling system, be certain to drain and rinse both tanks after each use.

FOR SAFETY: Before leaving or servicing machine, stop on level surface, turn off machine and unplug cord from wall outlet.

DRAINING RECOVERY TANK

ATTENTION: Drain recovery tank whenever refilling solution tank. Foam or water may enter ball float screen and damage vacuum motor. Vacuum motor damage due to foam or water is not covered by warranty.

1. Turn off all switches and unplug power cord.
2. Remove left side drain hose from holder and place over floor drain or bucket.
3. Turn drain hose cap counterclockwise and pull off plug to drain (Figure 27).



FIG. 27

NOTE: If using a bucket to drain machine, do not use same bucket for filling, or be certain to rinse it out before refilling machine.

4. Replace drain hose cap securely when empty.
5. When done scrubbing, rinse recovery tank, ball float screen and ES™ filter if equipped. Remove screens if necessary.

DRAINING SOLUTION TANK

To drain unused cleaning solution or recycled solution from solution tank, follow steps below:

1. Remove clear drain hose from hose barb, place over floor drain or bucket (Figure 28).



FIG. 28

2. Rinse out solution tank and solution flow system with clean water to prevent clogging due to chemical build up.
3. Replace drain hose plug securely on hose barb when empty.

MAINTENANCE

FOR SAFETY: When servicing machine, stop on level surface, turn off machine and unplug cord from wall outlet.

ATTENTION: Contact an Authorized Service Center for machine repairs. Machine repairs performed by other than an authorized person will void your warranty.

To keep machine in good working condition, simply follow the daily, weekly and monthly maintenance procedures.

NOTE: *If equipped with optional hour meter, record machine hours when service was performed.*

DAILY MAINTENANCE (After Every Use)

1. Remove and clean pad or brush. Never use soiled pads when cleaning. Replace pad when it becomes worn or loaded with residue.
2. Drain and rinse both tanks thoroughly.
3. Remove and clean the ball float screen. Replace screen securely (Figure 29).



FIG. 29

4. Remove and clean ES™ filter, if equipped. Replace filter securely.
5. Raise and wipe squeegee off with a dry cloth. Store squeegee in the up position to prevent squeegee damage.
6. Clean machine housing with a nonabrasive, nonsolvent cleaner.
7. Inspect power cord for damage. If damaged, replace power cord immediately. Coil cord neatly after each use.

WEEKLY MAINTENANCE (Every 20 Hours of Operation)

1. Flush out tanks and solution lines. Pour 24 oz. (750 ml.) of an acetic acid solution with 3 gallons (11.3 ltr.) of hot water into solution tank. Over a floor drain, activate the solution flow briefly to fill solution line. Shut off power and let machine set overnight. Rinse with clean water afterwards.
2. Remove and rinse out inline strainer filter. Before removing filter, be certain solution tank is empty. Filter is located under machine at rear (Figure 30).



FIG. 30

OPERATION

MONTHLY MAINTENANCE (Every 80 Hours of Operation)

1. Lubricate wheel grease fittings with a water resistant grease.
2. Lubricate all linkage pivot points with silicone spray then coat with a water resistant grease to maintain a smooth operation.
3. Check machine for water leaks and loose nuts and bolts.

QUARTERLY MAINTENANCE (Every 250 Hours of Operation)

Check vacuum and brush motors for carbon brush wear, replace brushes if worn to a length of 3/8" (1cm) or less.

FOR SAFETY: When servicing machine, stop on level surface, turn off machine and unplug cord from wall outlet.

SERVICING MACHINE

ATTENTION: Contact an Authorized Service Center for machine repairs. Machine repairs performed by other than an authorized person will void your warranty.

To access internal components for repair, remove hole plug and two screws from cover (Figure 31).



FIG. 31

NOTE: When replacing cover, be careful not to pinch any internal hoses or wiring.

TRANSPORTING MACHINE

When transporting machine by use of trailer or truck, be certain to follow tie-down procedures below:

FOR SAFETY: When using machine, go slow on inclines and slippery surfaces.

1. Remove squeegee from machine and raise scrub head. Leave pad or brush installed.
2. Load machine using a recommended loading ramp.
3. Position front of machine up against front of trailer or truck. Once machine is positioned, lower brush head.
4. Place a block behind each rear wheel.
5. Place tie-down straps over top of machine and secure straps to floor. It may be necessary to install tie-down brackets to the floor of your trailer or truck.

FOR SAFETY: When transporting machine, use a recommended ramp when loading/unloading into/off truck or trailer, use tie-down straps to secure machine to truck or trailer.

STORING MACHINE

1. Before storing machine, be certain to rinse tanks and drain machine of all water.
2. Store machine in a dry area with squeegee removed and scrub head in the raised position.
3. Remove recovery tank lid to promote air circulation.

ATTENTION: If storing machine in freezing temperatures, be certain to drain machine of all water. Damage due to freezing temperatures is not covered by warranty.

⚠ WARNING: Do Not Use Outdoors. Do Not Expose To Rain. Store Indoors.

RECOMMENDED STOCK ITEMS

Refer to Standard Parts section for recommended stock items. Stock Items are clearly identified with a bullet preceding the parts description. See example below:

Ref.	Part No.	Description	Qty.
1	701193	ARM, STAND PIPE	1
2	180612	● FLOAT, SHUTOFF	1
3	230197	NIPPLE	1
4	101714	● GASKET	1
5	210240	NUT, FLANGED	1

TROUBLE SHOOTING

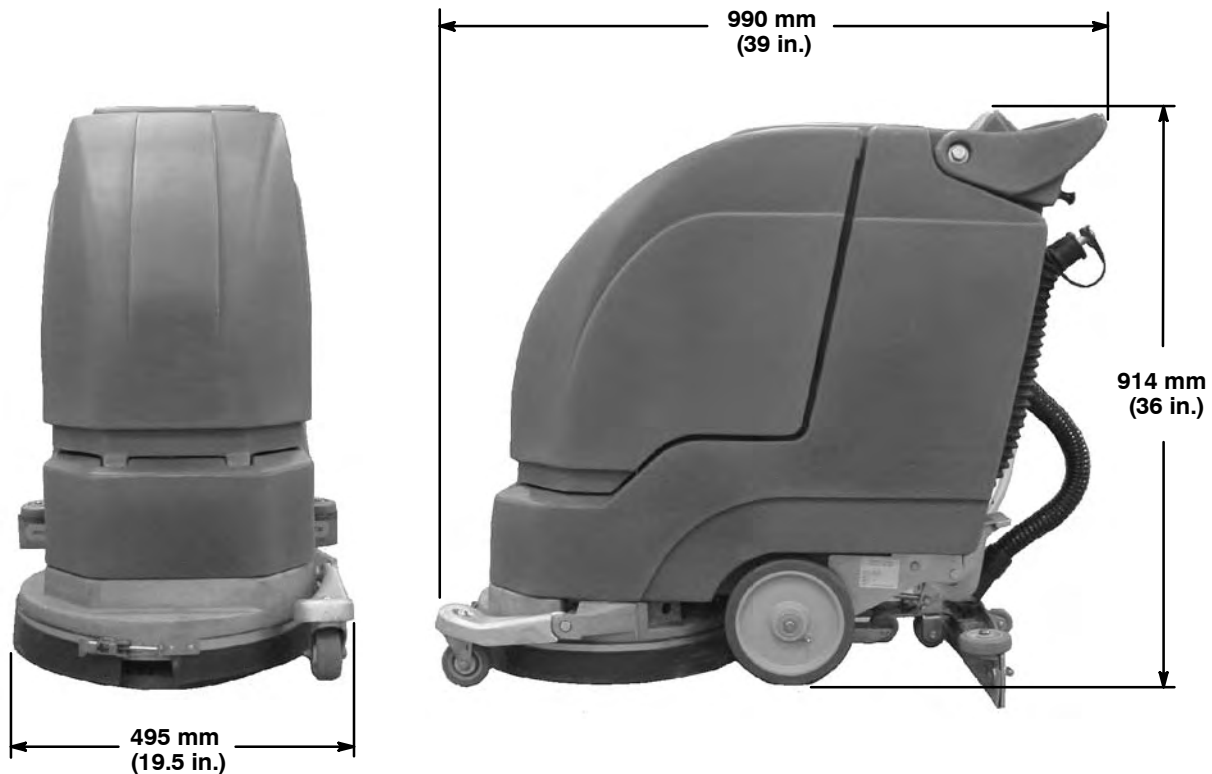
PROBLEM	CAUSE	SOLUTION
Machine does not operate.	Faulty main power switch.	Contact Service Center.
	Faulty power cord.	Contact Service Center.
	Building circuit breaker has tripped.	Reset breaker.
Brush motor does not operate.	Faulty brush trigger switch.	Contact Service Center.
	Brush triggers not pulled.	Pull brush triggers.
	Brush circuit breaker has tripped.	Clean or replace pad and reset brush circuit breaker button.
	Faulty brush motor or wiring.	Contact Service Center.
	Worn carbon brushes.	Contact Service Center.
Vacuum motor does not operate.	Faulty vacuum switch.	Contact Service Center.
	Faulty vacuum motor or wiring.	Contact Service Center.
	Worn carbon brushes.	Contact Service Center.
Little or no solution flow.	Solution switch is not activated.	Turn on solution switch.
	Solution line or solution tank filter is clogged.	Remove hose and blow compressed air through it. Flush solution tank after each use.
	Solution valve or solenoid is clogged.	Remove valve or solenoid and clean. Do not scratch inside of valve.
	Faulty solution switch or solenoid.	Contact Service Center.
	Solution flow adjustment knob needs adjusting.	Turn solution flow adjustment knob to desired setting.
	ES™ Option: ES™ filter is clogged.	Remove and clean ES™ filter.
	ES™ Option: Faulty ES™ pump.	Contact Service Center.
Poor water pick up.	Recovery tank is full and ball float has been activated.	Empty recovery tank.
	Ball float screen inside recovery tank is clogged.	Remove screen and clean.
	Clogged squeegee.	Clean squeegee.
	Worn squeegee blades.	Replace squeegee blades.
	Loose squeegee thumbscrews.	Tighten thumbscrews.
	Vacuum hose connections are loose or hose has a hole.	Push hose cuffs firmly on connections. Replace hose if damaged.
	Clogged vacuum hose.	Remove clogged debris.
	Recovery tank inlet hole is obstructed.	Empty recovery tank and tilt tank sideways to access inlet hole, remove obstruction.
	Defective tank gasket.	Replace gasket.
	Loose drain hose plug.	Tighten drain plug.
	Recovery tank lid not in place.	Properly position lid.
	Loose vacuum motor.	Contact Service Center.

OPERATION

SPECIFICATIONS

MODEL	Tennant 5100
LENGTH	990 mm (39 in.)
WIDTH	495 mm (19.5 in.)
HEIGHT	914 mm (36 in.)
WEIGHT	71kg (158lbs.)
POWER CORD LENGTH	23m (75 ft.)
RECOVERY TANK CAPACITY	28.5L (7.5 Gal.)
SOLUTION TANK CAPACITY	28.5L (7.5 Gal.)
ES™ OPTION SOLUTION FILL CAPACITY	42.5L (11.25 Gal.)
DRIVE SYSTEM	Brush driven
CLEANING RATE	1375m ² (14,800 sq. ft.) per hour
CLEANING PATH WIDTH	430 mm (17 in.)
PAD DIAMETER	430 mm (17 in.)
PAD PRESSURE	Variable - 40-66lbs./18-30kg.
SQUEEGEE WIDTH	670 mm (26.5 in.)
TOTAL POWER COMSUMPTION	8 Amp nominal
BRUSH MOTOR	.6 h.p., 175 rpm, 230V/240V, 3.6A
VACUUM MOTOR	.66 h.p., 2-stage 5.7", 230V/240V, 2.2A, 496W
WATER LIFT	1140 mm (45 in.)
DECIBEL RATING AT OPERATOR'S EAR, INDOORS ON TILE.	69.5dB(A)

MACHINE DIMENSIONS



Este manual se proporciona con cada nuevo modelo. Proporciona instrucciones necesarias de mantenimiento y lista ilustrada de piezas.

Antes de operar o prestar servicio a la máquina, lea completamente este manual y entienda la máquina.

Para ordenar piezas use las Listas Ilustradas de las Piezas. Asegúrese de tener listo el número de modelo y de serie de la máquina, antes de ordenar piezas o suministros. Las piezas y suministros pueden ordenarse por teléfono o por correo de cualquier centro autorizado de piezas y servicio, distribuidor o de cualquiera de las subsidiarias del fabricante.

Esta máquina proporcionará un servicio excelente. Sin embargo, los mejores resultados se obtienen a un costo mínimo si:

- La máquina se opera con un cuidado razonable.
- La máquina se mantiene con regularidad, según las instrucciones de mantenimiento provistas.
- La máquina se mantiene con las piezas provistas por el fabricante o equivalentes.

DATOS DE LA MAQUINA

Por favor complete al momento de la instalación para referencia futura.

No. de Modelo- _____

Fecha de instalación - _____

No. de Serie- _____

INDICE

MEDIDAS DE SEGURIDAD	19	MANTENIMIENTO DE LA MÁQUINA	30
INSTRUCCIONES DE CONEXION A TIERRA	20	TRANSPORTE DE LA MÁQUINA	32
ROTULOS DE SEGURIDAD	21	ALMACENAMIENTO DE LA MÁQUINA	32
COMPONENTES DE LA MÁQUINA	22	RECOMENDACIONES SOBRE REPUESTOS EN ALMACÉN	32
SÍMBOLOS DEL PANEL DE CONTROL	22	LOCALIZACIÓN DE AVERÍAS	33
INSTALACIÓN DE LA MÁQUINA	23	ESPECIFICACIONES	35
DESEMBALADO DE LA MÁQUINA	23	DIMENSIONES DE LA MÁQUINA	35
PREPARACIÓN DE LA MÁQUINA	23	DIAGRAMAS ELECTRICAS	36
FIJACIÓN DEL CONJUNTO DE LA ESCOBILLA DE GOMA	23	LISTA DE PIEZAS	40
INSTALACIÓN DEL IMPULSOR DE LA ALMOHADILLA O DEL CEPILLO	24	SUSTITUCIÓN DEL CONJUNTO DEL IMPULSOR DE LA ALMOHADILLA Y CEPILLOS	40
EXTRACCIÓN DEL IMPULSOR DE LA ALMOHADILLA O DEL CEPILLO	25	GRUPE DEL DEPÓSITO DE DISOLUCIÓN	42
LLENADO DEL DEPÓSITO DE LA DISOLUCIÓN	25	CONJ. DESPOSITO RECUPERAR	44
AJUSTE DE LA ALTURA DEL MANDO DE CONTROL	26	MANIJA GRUPO	46
FUNCIONAMIENTO DE LA MÁQUINA	26	CONJUNTO CONSOLA DE CONTROLES ..	48
LISTA DE COMPROBACIÓN ANTES DE LA PUESTA EN MARCHA	26	CONJUNTO DE LA RUEDA	50
FREGADO CON LA MÁQUINA	26	GRUPO DEL CABEZAL DE FREGADO DE DISCO	52
FUNCIONAMIENTO DEL SISTEMA ES™ OPCIONAL	27	GRUPO DE TUBERÍAS	54
AL UTILIZAR LA MÁQUINA	27	CONJUNTO DEL MOTOR DE ASPIRACIÓN	56
OPERACION DE LAS HERRAMIENTAS DE ACCESORIOS (OPCIONAL)	28	CONJUNTO PALETA	58
CORTACIRCUITOS	28	OPIONES	60
AJUSTES DE LA MÁQUINA	29	CONJUNTO DEL SISTEMA ES™	60
AJUSTE DEL FLUJO DE LA DISOLUCIÓN	29	CONJUNTO DE LA BOMBA DEL TUBO ...	62
AJUSTE DE LA PRESIÓN DE LA ALMOHADILLA	29	GRUPO DEL TUBO ELÉCTRICO DELUXE .	64
-AJUSTE DEL CABLE DE ELEVACIÓN DE LA ESCOBILLA DE GOMA	29	GRUPO DEL TUBO ELÉCTRICO	66
VACIADO DE LOS DEPÓSITOS	29	KIT DE HERRAMIENTA MOJADO	68
VACIADO DEL DEPÓSITO DE RECUPERACIÓN	30	CONJUNTO DE LA MANGUERA DEL TUBO ELÉCTRICO	69
VACIADO DEL DEPÓSITO DE LA DISOLUCIÓN	30		

MEDIDAS DE SEGURIDAD

Esta máquina está diseñada para el uso comercial. Se ha diseñado exclusivamente para limpiar pisos duros en un ambiente interior y no se fabrica para ningún otro uso. Use sólo limpiadores recomendados de pisos comercialmente disponibles para la aplicación de la máquina.

Todos los operadores deben leer, entender y practicar las precauciones siguientes de seguridad.

El siguiente símbolo de alerta de advertencia y el encabezamiento de "PARA SEGURIDAD" se usan en este manual como se indica en su descripción:

⚠ ADVERTENCIA: Para advertir de riesgos o prácticas inseguras que podrían resultar en lesiones personales graves o la muerte.

PARA SEGURIDAD: Para identificar acciones que deben seguirse para el funcionamiento seguro del equipo.

El no seguir estas advertencias puede resultar en: lesiones personales, electrocución, choque eléctrico, fuego o explosión.

⚠ ADVERTENCIA: No use líquidos inflamables ni opere la máquina en o cerca de líquidos y vapores inflamables o polvos combustibles.

Esta máquina no está equipada con motores a prueba de explosión. Los motores eléctricos emiten chispas al arrancar y durante el funcionamiento lo que podría causar un fuego explosivo o explosión si la máquina se usa en una área donde están presentes vapores/líquidos inflamables o polvos combustibles.

⚠ ADVERTENCIA: No aspire materiales inflamables o metales reactivos.

⚠ ADVERTENCIA: No opere con un cordón eléctrico dañado. No modifique el enchufe. Desenchufe el cordón eléctrico antes de reparar la máquina.

Si el cordón del suministro se daña o se rompe, debe ser reemplazado por el fabricante o su agente de servicio o una persona similarmente calificada para evitar un riesgo.

⚠ ADVERTENCIA: No use al aire libre o en superficies húmedas. No exponga a la lluvia. Almacén bajo techo.

La información siguiente señala condiciones potencialmente peligrosas para el operador o el equipo:

PARA SEGURIDAD:

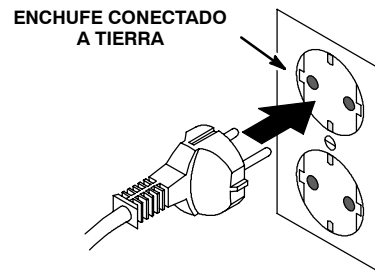
1. No opere la máquina:
 - Con líquidos inflamables o cerca de los vapores inflamables ya que puede ocurrir una explosión o fuego explosivo.
 - A menos que está capacitado y autorizado.
 - A menos que se haya leído y entendido el manual del funcionamiento.
 - A menos que el cordón se conecte apropiadamente a tierra.
 - Con un cordón o enchufe dañados.
 - Si no está en condición de ejecutar una operación apropiada.
 - En áreas al aire libre.
 - En agua estancada.
 - Sin bolsa del polvo en lugar.
2. Antes de arrancar la máquina:
 - Asegúrese que todos los dispositivos de seguridad están en su lugar y operando apropiadamente.
3. Al usar máquina:
 - No pase la máquina encima del cordón.
 - No tire de la máquina por el enchufe o el cordón.
 - Evite pasar el cable por bordes agudos o esquinas.
 - No desenchufe tirando del cordón.
 - No estire el cordón.
 - No maneje el enchufe con las manos húmedas.
 - Mantenga el cordón lejos de las superficies calientes.
 - Avance lentamente en las cuestas y superficies resbaladizas.
 - Use zapatos antiresbalosos.
 - Sea precavido al retroceder la máquina.
 - Informe inmediatamente acerca de daños o un funcionamiento defectuoso.
 - Nunca permita que los niños jueguen en o alrededor de la máquina.
 - Siga las instrucciones de mezcla y manejo indicados en los recipientes químicos.

OPERACIÓN

4. Antes de salir de o reparar la máquina:
 - Deténgala en una superficie nivelada.
 - Apague la máquina.
 - Desenchufe cordón del tomacorriente de la pared.
5. Al prestar servicio a la máquina:
 - Desenchufe cordón del tomacorriente de la pared.
 - Evite las piezas móviles. No use chaquetas, camisas, o mangas, holgadas.
 - Calce las ruedas de la máquina antes de levantarla con un gato.
 - Use gúinches o gatos para soportar el peso de la máquina.
 - Use piezas de repuesto provistas o aprobadas por el fabricante.
 - Todas las reparaciones deben ser realizadas por una persona de servicio calificada.
 - No modifique la máquina de su diseño original.
6. Al transportar máquina:
 - Apague la máquina.
 - Obtenga ayuda al alzar la máquina.
 - Desenchufe cordón del tomacorriente de la pared.
 - Use una rampa recomendada al cargar/descargar al/ fuera del camión o remolque .
 - Use correas de amarre para asegurar la máquina al camión o remolque.

INSTRUCCIONES DE CONEXION A TIERRA

La máquina debe conectarse a tierra. En caso de mal funcionamiento o desarreglo, la conexión a tierra provee un recorrido de menor resistencia para la corriente eléctrica para reducir el riesgo de choque eléctrico. Esta máquina está equipada con un cordón con un conductor de conexión a tierra del equipo y enchufe de conexión a tierra. El enchufe debe enchufarse en un tomacorrientes apropiado correctamente instalado de acuerdo con todos los códigos y ordenanzas locales. No extraer la clavija de conexión a tierra; si falta, reemplazar el enchufe antes de usar.



(220V/230V/240v)

ROTULOS DE SEGURIDAD

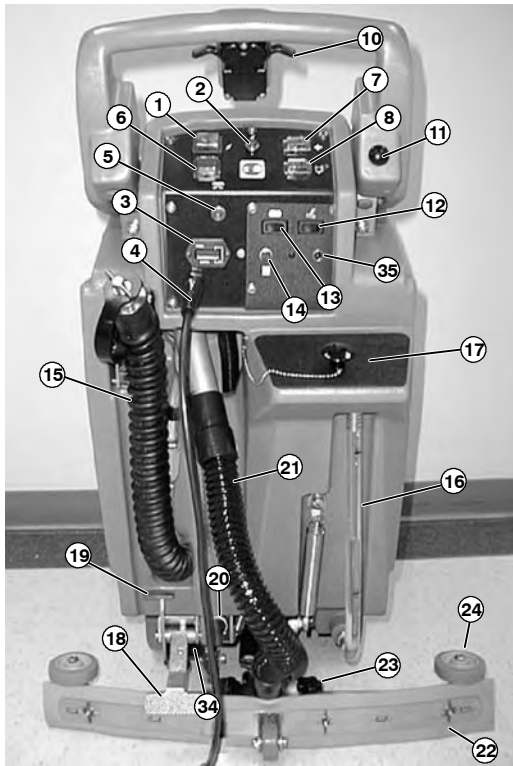
Los rótulos de seguridad aparecen en la máquina en las ubicaciones indicadas. Si los rótulos se dañan o son ilegibles, reempácelos.

ETIQUETA DE ADVERTENCIA - LOCALIZADA EN EL TANQUE DE RECUPERACION.



OPERACIÓN

COMPONENTES DE LA MÁQUINA



- | | | |
|---|---|---|
| 1. Interruptor de apagado/encendido | 13. Interruptor de ENCENDIDO/
APAGADO del equipo ES™
(Opcional) | 22. Conjunto de la escobilla de goma |
| 2. Indicador luminoso de
ENCENDIDO/APAGADO | 14. Indicador luminoso de la bomba
ES™ (Opcional) | 23. Palometa de la escobilla de goma |
| 3. Contador de horas (Opcional) | 15. Manguera de vaciado del
depósito de recuperación | 24. Rodillos de pared |
| 4. Cable eléctrico | 16. Manguera de Vaciado del
Depósito de Disolución con
Indicador de Nivel | 25. Mando de control |
| 5. Cortacircuitos del cepillo | 17. Tapa del Orificio de Llenado de
la Disolución | 26. Tapa del depósito de recuperación |
| 6. Botón de liberación del cepillo | 18. Pedal de elevación del cabezal
de fregado | 27. Depósito de recuperación |
| 7. Interruptor de
ENCENDIDO/APAGADO de la
aspiración | 19. Pedal de liberación de la
elevación del cabezal de fregado | 28. Cabezal de fregado |
| 8. Interruptor de ENCENDIDO/
APAGADO de la disolución | 20. Botón de ajuste del flujo de la
disolución | 29. Aleta del cabezal de fregado |
| 9. Mando de elevación de la
escobilla de goma | 21. Manguera de aspiración de la
escobilla de goma | 30. Ruedecilla de transporte |
| 10. Accionador del cepillo | | 31. Ruedas principales |
| 11. Botones de ajuste de la altura
de mando de control | | 32. Acoplador de la manguera de la
disolución del tubo de
aspiración (Opcional) |
| 12. Interruptor de ENCENDIDO/
APAGADO del tubo de
aspiración (Opcional) | | 33. Depósito de la disolución |
| | | 34. Botón de ajuste de la presión de
la almohadilla |
| | | 35. Cortacircuitos del tubo del
equipo ES™ (Opcional) |

SÍMBOLOS DEL PANEL DE CONTROL



Encendido



Interruptor de
la disolución



Lea el Manual antes
de utilizar la máquina



Interruptor del sistema
ES (fregado
prolongado) (Opcional)



Interruptor de
la aspiración



Motor del cepillo
Cortacircuitos de 4,5 A



Interruptor del tubo de
aspiración (Opcional)



Indicador luminoso de
la bomba del sistema
ES (Opcional)

INSTALACIÓN DE LA MÁQUINA

DESEMBALADO DE LA MÁQUINA

Compruebe cuidadosamente si la caja de cartón está deteriorada. En caso de que así sea informe inmediatamente al transportista.

Para desembalar la máquina, retire las cintas de sujeción y levántela cuidadosamente o utilice una rampa formada con las planchas de embalaje para retirar la máquina del pallet.

Eleve el cabezal de fregado a la posición de transporte antes de maniobrar con la máquina. Pise el pedal de elevación del cabezal de fregado para elevarlo (Figura 1).

NOTA: Para evitar que la aleta del cabezal de fregado se deteriore, mantenga la máquina en la posición de transporte cuando el impulsor de la almohadilla no esté instalado.



FIG. 1

ATENCIÓN: No retire la máquina del pallet haciéndola rodar porque podría averiarse.

El conjunto de la escobilla de goma está embalado con la máquina.

Los cepillos, impulsor de la almohadilla y almohadillas deben adquirirse separadamente. Consulte a un distribuidor autorizado acerca de los cepillos y almohadillas específicos adecuados para su caso.

ATENCIÓN: La utilización de piezas diferentes a las recomendadas por el fabricante puede provocar averías.

PREPARACIÓN DE LA MÁQUINA

FIJACIÓN DEL CONJUNTO DE LA ESCOBILLA DE GOMA

1. Eleve el soporte de montaje de la escobilla de goma desplazando el botón de elevación de la escobilla de goma a la izquierda (Figura 2).



FIG. 2

2. Afloje las dos palometas del conjunto de la escobilla de goma y deslice dicha escobilla en las ranuras del soporte de montaje de la escobilla de goma (Figura 3).



FIG. 3

3. Fije bien las palometas.

OPERACIÓN

4. Conecte la manguera de aspiración de la máquina al conjunto de la escobilla de goma (Figura 4).



FIG. 4

INSTALACIÓN DEL IMPULSOR DE LA ALMOHADILLA O DEL CEPILLO

1. Seleccione el cepillo o almohadilla recomendados que mejor se adapte a sus necesidades.

NOTA: Consulte a un distribuidor autorizado para que le ayude a elegir el cepillo o la almohadilla adecuados para sus necesidades específicas.

2. Instale la almohadilla al impulsor de la almohadilla antes de instalar el impulsor en el cubo del motor. Fije la almohadilla con el anillo de sujeción central de plástico (Figura 5).

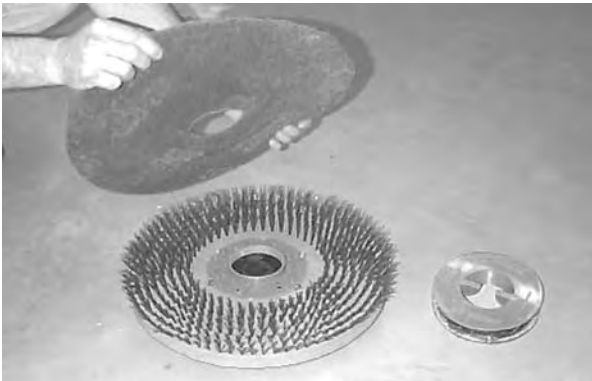
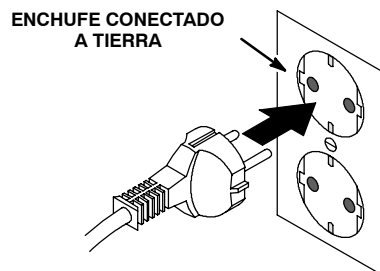


FIG. 5

3. Enchufe el cable en una toma de la pared con toma de tierra (Figura 6).



(220V/230V/240v)

FIG. 6

PARA SU SEGURIDAD: No operar la máquina a menos que la máquina esté bien conectada a tierra.

4. Encienda el interruptor principal (Figura 7).



FIG. 7

5. Coloque el accionador/cepillo de la plancha sobre el piso, delante del cabezal de fregado (Figura 8).



FIG. 8

6. Incline la máquina hacia atrás, de manera que se apoye sobre sus ruedas traseras, y centre el cabezal de fregado sobre el accionador/cepillo de la plancha (Figura 8).

7. **PASO IMPORTANTE:** Suelte el pedal de levantamiento del cepillo para liberarlo de la posición de transporte (Figura 9). Alinee el eje del motor dentro del accionador/cepillo de la plancha.



FIG. 9

- Tire de los disparadores para activar el accionador/cepillo de la plancha. **Asegúrese de que la rueda delantera esté en la posición UP (arriba)** (Figura 10).

NOTA: Si no está instalado un accionador/cepillo de plancha, asegúrese de mantener la máquina en la posición de transporte para que el faldón no se dañe.



FIG. 10

NOTA: Antes de instalar el impulsor de la almohadilla o el cepillo, asegúrese de que la superficie de montaje está limpia. Una superficie limpia facilitará la posterior extracción del impulsor de la almohadilla.

EXTRACCIÓN DEL IMPULSOR DE LA ALMOHADILLA O DEL CEPILLO

- Eleve el cabezal de fregado a la posición de transporte. Pise el pedal de elevación del cabezal de fregado para elevarlo (Figura 11).



FIG. 11

- Encienda el interruptor principal.
- Incline la máquina para apoyarla de nuevo sobre las ruedas traseras.
- Tire y suelte rápidamente el accionador del cepillo mientras pulsa el "botón de liberación del cepillo". El impulsor de la almohadilla/cepillo se desenroscará automáticamente del cubo del motor. Si esto no ocurre, repita la operación (Figura 12).



FIG. 12

NOTA: Para evitar el deterioro de la aleta del cabezal de fregado; mantenga la máquina en la posición de transporte cuando el impulsor de la almohadilla o el cepillo no estén instalados.

LLENADO DEL DEPÓSITO DE LA DISOLUCIÓN

- Dirija la máquina a la zona de llenado. Levante la escobilla de goma y el cepillo durante el transporte.
- Apague el interruptor principal.
- Retire la tapa del orificio de llenado del depósito de disolución.
- Llene el depósito de la disolución con 28L (7.5 galones) de agua limpia (temperatura máxima: 60°C/140°F) (Figura 13).



FIG. 13

NOTA: Si utiliza un cubo, asegúrese de que dicho cubo esté limpio.

- Añada el producto de limpieza. Consulte en las instrucciones del envase la proporción correcta para la disolución.
- Coloque de nuevo la tapa del orificio de llenado del depósito.

ATENCIÓN: Utilice únicamente productos de limpieza recomendados - NO utilice sustitutos. Consulte a un distribuidor autorizado acerca de los productos de limpieza recomendados.

OPERACIÓN

⚠ ADVERTENCIA: Los materiales inflamables pueden provocar explosiones o incendios. No utilice materiales inflamables en los depósitos.

7. Si la máquina está equipada con la opción ES™ (fregado prolongado), puede llenarse parcialmente el tanque de recuperación para extender el tiempo de fregado.
 - a. Retire la tapa del depósito de recuperación y llene dicho depósito con 13L (3.5 galones) de agua limpia (temperatura máxima 60°C/140°F). Cierre la tapa.
 - b. Asegúrese de que el interruptor ES™ está encendido al utilizar la máquina (Figura 14).

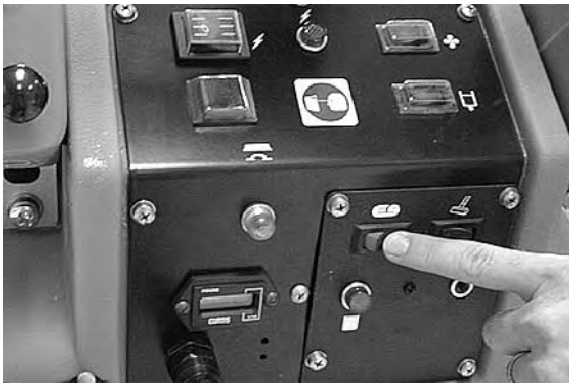


FIG. 14

- c. El indicador luminoso del sistema ES™ se encenderá cuando la bomba ES™ esté funcionando.

AJUSTE DE LA ALTURA DEL MANDO DE CONTROL

El mando de control tiene tres ajustes de la altura posibles para ajustarlo a una altura de trabajo cómoda.

1. Localice los dos botones de ajuste de la altura del mando de control situados en dicho mando (Figura 15).
2. Tire de ambos botones y levante o baje el mando, suelte los botones para inmovilizar el mando.



FIG. 15

FUNCIONAMIENTO DE LA MÁQUINA

PARA SU SEGURIDAD: No utilice la máquina salvo que el operario haya leído y comprendido el manual de instrucciones.

LISTA DE COMPROBACIÓN ANTES DE LA PUESTA EN MARCHA

- Barra el suelo para eliminar partículas y otros restos.
- Controle si el cable eléctrico está deteriorado. Sustitúyalo inmediatamente si lo está.
- Controle el estado del cepillo o la almohadilla.
- Controle el estado de las láminas de la escobilla de goma.

FREGADO CON LA MÁQUINA

1. Suelte el pedal de elevación del cepillo de la posición de transporte pisando el pedal de liberación del cabezal de fregado (Figura 16).



FIG. 16

2. Baje el conjunto de la escobilla de goma desplazando el botón de elevación de la escobilla de goma a la derecha (Figura 17).



FIG. 17

- Encienda el interruptor principal, el de aspiración y el de la disolución (Figura 18).



FIG. 18

NOTA: El flujo de la disolución y el cepillo no funcionarán hasta que no tire de los accionadores del cepillo.

- Tire de los accionadores del cepillo y comience a andar con la máquina. El cepillo impulsará la máquina hacia delante permitiendo maniobrar con poco esfuerzo (Figura 19).



FIG. 19

NOTA: Es posible que en superficies irregulares sea necesario reducir la presión del cepillo para evitar que se active el cortacircuitos (Consulte la sección AJUSTE DE LA PRESIÓN).

ATENCIÓN: Para evitar el posible deterioro del suelo y la activación del cortacircuitos del cepillo, no utilice la máquina cuando el indicador de la presión del cepillo se encuentre en la zona roja.

- Para utilizar la máquina en marcha atrás, simplemente tire hacia atrás de la máquina mientras tira de los accionadores.
- Para detener el fregado, suelte los accionadores del cepillo, apague todos los interruptores y levante el cabezal de fregado y la escobilla de goma.

FUNCIONAMIENTO DEL SISTEMA ES™ OPCIONAL

El sistema ES™ (fregado prolongado) opcional permite al operario fregar durante más tiempo utilizando agua reciclada. El agua recuperada se filtra y se devuelve al depósito de la disolución para su reutilización.

- Llene el depósito de recuperación con 13L (3.5 galones) al llenar el depósito de la disolución.
- Encienda el interruptor del sistema ES™. Durante la utilización, la bomba ES™ comenzará automáticamente a reciclar al encenderse el indicador luminoso de la bomba ES™ (Figura 20).



FIG. 20

- Una vez terminada la operación de fregado, vacíe y limpie el depósito de la disolución y el filtro ES™ (Consulte el apartado de VACIADO DE LOS DEPÓSITOS).

AL UTILIZAR LA MÁQUINA

⚠ ADVERTENCIA: No aspire materiales inflamables o metales reactivos.

- Cumpla las MEDIDAS DE SEGURIDAD.
- Comience la limpieza desde la pared a la que está enchufada la máquina y vaya alejándose de dicha pared para evitar el deterioro del cable eléctrico.
- Controle la cantidad de flujo de disolución al suelo. En caso necesario, ajuste el flujo deseado (Consulte la sección de AJUSTES DE LA MÁQUINA).
- Controle periódicamente que no exista acumulación de espuma en el depósito de recuperación (mire a través de la tapa transparente). Si la acumulación de espuma empieza a ser excesiva, añada un producto de control de la formación de espuma al depósito de recuperación.

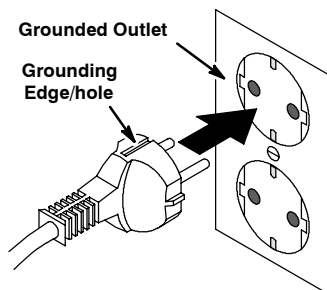
OPERACIÓN

ATENCIÓN: No permita que se introduzca agua o espuma en el filtro del flotador de cierre. La espuma impedirá que se active el filtro del flotador de cierre. La garantía no cubre la avería del motor de aspiración causada por la entrada de agua o espuma.

- Utilice la máquina con precaución al fregar cerca de paredes u obstáculos.
- Si la escobilla de goma deja marcas, eleve la escobilla de goma y limpie las láminas con un paño. Realice un barrido previo de la zona para evitar la formación de marcas. Si es necesario ajustar la escobilla de goma, consulte el apartado de AJUSTES DE LA MÁQUINA.
- Haga que los pases se superpongan 5 cm (2 pulg).
- Cambie o gire las almohadillas cuando estén sucias.
- Manténgase alejado de obstáculos del suelo como placas eléctricas o rejillas, romperían las almohadillas.
- Durante paradas cortas, simplemente suelte los accionadores y el cepillo y el flujo de la disolución se detendrán automáticamente.
- En el último pase de fregado, apague el interruptor de la disolución justo antes de detener la máquina..
- Cuando se agote la disolución del depósito de la disolución, vacíe el depósito de recuperación (Consulte la sección de VACIADO DE LOS DEPÓSITOS).

OPERACION DE LAS HERRAMIENTAS DE ACCESORIOS (OPCIONAL)

- Conecte la manguera de la disolución al acoplamiento de desconexión rápida.
- Desconecte la manguera del tubo de cala y reemplazcalo con la manguera accesorio.
- Conecte las mangueras al tubo.
- Enchufe el cable en una toma de la pared con toma de tierra (Figura 21).



(220V/230V/240V)

FIG. 21

PARA SU SEGURIDAD: No operar la máquina a menos que la máquina esté bien conectada a tierra.

- Encienda el interruptor principal, vara de pompa y interruptor de aspiradora (Figura 22).



FIG. 22

- Opere las herramientas accesorias de la manera normal.

⚠ ADVERTENCIA: No aspire materiales inflamables o metales reactivos.

CORTACIRCUITOS

El modelo está equipado con un cortacircuitos para proteger el motor del cepillo de averías.

El cortacircuitos del motor del cepillo se activará si existe una carga excesiva de la almohadilla. Reduzca la presión de la almohadilla o sustitúyala si se activa el cortacircuitos. El cortacircuitos se encuentra en la consola de control (Figura 23).

Si se activa el cortacircuitos, no lo reajuste inmediatamente. Determine la causa de la activación del cortacircuitos, espere unos minutos y reajuste dicho cortacircuitos (Consulte el apartado de LOCALIZACIÓN DE AVERÍAS).



FIG. 23

AJUSTES DE LA MÁQUINA

PARA SU SEGURIDAD: Antes de salir de o prestar servicio a la máquina, deténgase en una superficie nivelada, apague la máquina y desenchufe el cordón del tomacorrientes de la pared.

AJUSTE DEL FLUJO DE LA DISOLUCIÓN

Para aumentar o reducir el flujo máximo de la disolución, gire el botón de ajuste a la posición deseada. El botón de ajuste se encuentra cerca del pedal de elevación del cepillo (Figura 24).



FIG. 24

AJUSTE DE LA PRESIÓN DE LA ALMOHADILLA

NOTA: Es posible que sea necesario reducir la presión de la almohadilla en superficies irregulares.

Para ajustar la presión de la almohadilla, gire el botón de ajuste en sentido contrario al de las agujas del reloj para aumentar dicha presión y en sentido contrario para reducirla. El botón de ajuste se encuentra debajo del pedal de elevación del cepillo (Figura 25).

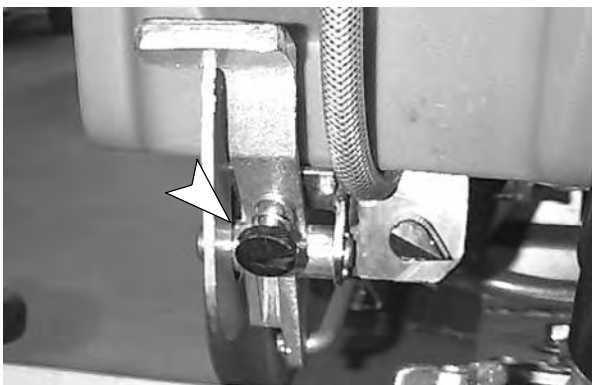


FIG. 25

AJUSTE DEL CABLE DE ELEVACIÓN DE LA ESCOBILLA DE GOMA

Para ajustar el cable de elevación de la escobilla de goma, afloje las contratuercas y gire el vástago de ajuste del cable de la escobilla de goma. Apriete de nuevo las contratuercas después de realizar el ajuste (Figura 26).

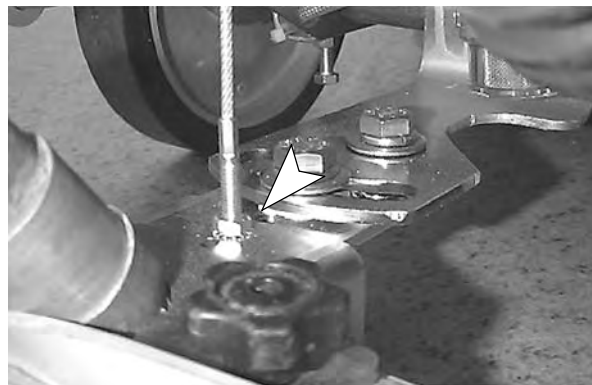


FIG. 26

VACIADO DE LOS DEPÓSITOS

Cuándo vaciar el depósito de recuperación:

- Después de cada uso.
- Entre dos operaciones de llenado del depósito de la disolución.
- Cuando se interrumpa el flujo durante la utilización.
- Cuando el filtro del flotador de cierre esté activado.
- Cuando la escobilla de goma no recoja bien el agua.

NOTA: Si utiliza el sistema ES™ de reciclado, asegúrese de vaciar y aclarar ambos depósitos después de cada uso.

PARA SU SEGURIDAD: Antes de salir de o prestar servicio a la máquina, deténgase en una superficie nivelada, apague la máquina y desenchufe el cordón del tomacorrientes de la pared.

OPERACIÓN

VACIADO DEL DEPÓSITO DE RECUPERACIÓN

ATENCIÓN: Vacíe el depósito de recuperación siempre que llene el depósito de la disolución. Podría introducirse espuma o agua en el filtro del flotador de cierre y dañar el motor de aspiración. La garantía no cubre la avería del motor de aspiración causada por la entrada de agua o espuma.

1. Apague todos los interruptores y desenchufe el cable eléctrico.
2. Extraiga la manguera de vaciado del lado izquierdo de su soporte y sitúela en un desagüe del suelo o un cubo.
3. Retire el tapón de la manguera de vaciado del depósito de recuperación girándolo en sentido contrario a las agujas del reloj y vacíe el depósito (Figura 27).



FIG. 27

NOTA: Si utiliza un cubo para vaciar la máquina, no utilice el mismo cubo para el llenado o asegúrese de aclararlo antes llenar la máquina.

4. Vuelva a colocar bien el tapa de la manguera de vaciado después de la operación de vaciado.
5. Una vez terminada la operación de fregado, aclare el depósito de recuperación, el filtro del flotador de cierre y el filtro ES™ si existen. Extraiga los filtros si es necesario.

VACIADO DEL DEPÓSITO DE LA DISOLUCIÓN

Para vaciar la disolución que no se ha utilizado del depósito de la disolución siga los siguientes pasos:

1. Retire la manguera de vaciado limpia del soporte de la manguera y colóquela en un cubo o un desagüe del suelo (Figura 28).



FIG. 28

2. Aclare el depósito de disolución y el sistema del flujo de disolución con agua limpia para evitar que se bloqueen debido a la acumulación de productos químicos.
3. Una vez vacía, vuelva a poner el tapón de la manguera de vaciado en el soporte de la manguera.

MANTENIMIENTO DE LA MÁQUINA

PARA SU SEGURIDAD: Al revisar la máquina, deténgala en una superficie horizontal, apague la máquina y desconecte el cable eléctrico del enchufe de la pared.

ATENCIÓN: Póngase en contacto con un Centro de Servicio autorizado para reparar las máquinas. Las reparaciones de máquinas realizadas por personas no autorizadas invalidarán la garantía.

Para mantener la máquina en buenas condiciones de funcionamiento bastará realizar las siguientes operaciones de mantenimiento diaria, semanal o mensualmente.

NOTA: Si la máquina presenta el contador de horas opcional, registre las horas a las que realiza el mantenimiento.

MANTENIMIENTO DIARIO (Después de cada uso)

1. Extraiga y limpie el cepillo o la almohadilla. No utilice nunca almohadillas sucias durante las operaciones de limpieza. Sustituya las almohadillas cuando estén gastadas o sucias.
2. Vacíe y limpie a fondo ambos depósitos.

3. Extraiga y limpie el filtro del flotador de cierre. Vuelva a colocar bien el filtro (Figura 29).



FIG. 29

4. Extraiga y limpie el filtro ES™, si existe. Vuelva a colocar bien el filtro.
5. Eleve la escobilla de goma y límpiela con un paño seco. Guarde la escobilla de goma en la posición elevada para evitar que se deteriore.
6. Limpie el exterior de la máquina con un limpiador no abrasivo que no contenga disolventes.
7. Controle si el cable eléctrico está deteriorado. Si está deteriorado, sustitúyalo inmediatamente. Guarde el cable enrollado después de cada uso.

MANTENIMIENTO SEMANAL (Cada 20 Horas de utilización)

1. Aclare los depósitos y las tuberías de la disolución. Vierta 750 ml (24 oz.) de una disolución de ácido acético en 11.3L (3 galones) de agua caliente en el depósito de la disolución. Encienda brevemente el flujo de la disolución sobre un desagüe del suelo para llenar la tubería de disolución. Apague la máquina y deje actuar la disolución durante la noche. Después aclare con agua limpia.
2. Extraiga y aclare el filtro en línea. Antes de extraer el filtro, asegúrese de que el depósito de la disolución está vacío. El filtro se encuentra debajo de la máquina, en la parte trasera (Figura 30).



FIG. 30

MANTENIMIENTO MENSUAL (Cada 80 Horas de utilización)

1. Lubrique los puntos de lubricación de la rueda con grasa impermeable.
2. Lubrique todos los puntos articulados de conexión con un spray de silicona y luego con una capa de grasa impermeable para permitir un funcionamiento suave.
3. Controle que la máquina no presenta escapes de agua ni tornillos ni tuercas flojos.

MANTENIMIENTO TRIMESTRAL (Cada 250 Horas de utilización)

Controle el desgaste del cepillo de carbón de los motores de aspiración y del cepillo. Sustituya los cepillos si su longitud es igual o inferior a 1 cm.

PARA SU SEGURIDAD: Al revisar la máquina, deténgala en una superficie horizontal, apague la máquina y desconecte el cable eléctrico del enchufe de la pared.

REVISIÓN DE LA MÁQUINA

ATENCIÓN: Póngase en contacto con un Centro de Servicio autorizado para reparar las máquinas. Las reparaciones de máquinas realizadas por personas no autorizadas invalidarán la garantía.

Para acceder a los componentes internos para su reparación, retire el tapón del orificio y los dos tornillos de la tapa (Figura 31).



FIG. 31

NOTA: Al volver a colocar la tapa, tenga cuidado de no pinzar ningún cable o manguera internos.

OPERACIÓN

TRANSPORTE DE LA MÁQUINA

Cuando transporte la máquina en un camión o remolque, asegúrese de seguir los pasos siguientes para sujetar la máquina:

PARA SU SEGURIDAD: Conduzca despacio cuando utilice la máquina en pendientes o superficies resbaladizas.

1. Retire la escobilla de goma de la máquina y levante el cabezal de fregado. Deje instalado el cepillo o la almohadilla.
2. Cargue la máquina utilizando la rampa de carga recomendada.
3. Coloque la parte delantera de la máquina contra la parte delantera del remolque o camión. Una vez colocada la máquina, baje el cabezal del cepillo.
4. Coloque calzos detrás de las ruedas traseras.
5. Pase las cintas de sujeción por la parte superior de la máquina y sujételas al suelo. Puede ser necesario instalar varios soportes de sujeción en el suelo de su camión o remolque.

PARA SU SEGURIDAD: Al transportar la máquina, utilice una rampa para cargarla/descargarla en/de un camión o remolque. Utilice las cintas de sujeción para fijar la máquina al camión o remolque.

ALMACENAMIENTO DE LA MÁQUINA

1. Antes de guardar la máquina, asegúrese de aclarar y vaciar todo el agua de los depósitos de la máquina.
2. Guarde la máquina en un sitio seco, desmontando la escobilla de goma y con el cabezal de fregado en la posición elevada.
3. Quite la tapa del depósito de recuperación para facilitar la circulación de aire.

ATENCIÓN: Si guarda la máquina a temperaturas iguales o inferiores a 0°C, asegúrese de vaciar todo el agua de la misma. La garantía no cubre las averías causadas por heladas.

⚠ ADVERTENCIA: No use al aire libre. No exponga a la lluvia. Almacén bajo techo.

RECOMENDACIONES SOBRE REPUESTOS EN ALMACÉN

Consulte la sección de Lista de Repuestos para ver de cuáles se recomienda tener existencias. Los repuestos que debe tener en almacén se identifican fácilmente por la marca que antecede a la descripción de las piezas. Consulte el siguiente ejemplo:

Ref.	Part No.	Description	Qty.
1	701103	ARM, STAND PIPE	1
2	150612	● FLOAT, SHUTOFF	1
3	230187	NIPPLE	1
4	101714	● GASKET	1
5	210240	NUT, FLANGED	1

LOCALIZACIÓN DE AVERÍAS

PROBLEMA	CAUSA	SOLUCIÓN
La máquina no funciona.	Interruptor principal defectuoso.	Contactar con el Servicio Técnico.
	Cable eléctrico defectuoso.	Contactar con el Servicio Técnico.
	Cortacircuitos del edificio activado.	Reajustar el cortacircuitos.
El motor del cepillo no funciona.	Interruptor del accionador del cepillo defectuoso.	Contactar con el Servicio Técnico.
	No se ha tirado del los accionadores del cepillo.	Tirar de los accionadores del cepillo.
	Cortacircuitos del cepillo activado.	Limpiar o sustituir la almohadilla y reajustar el botón del cortacircuitos.
	Cables o motor del cepillo defectuosos.	Contactar con el Servicio Técnico.
	Cepillos de carbón gastados.	Contactar con el Servicio Técnico.
Motor de aspiración no funciona.	Interruptor de la aspiración defectuoso.	Contactar con el Servicio Técnico.
	Cables o motor de aspiración defectuoso.	Contactar con el Servicio Técnico.
	Cepillos de carbón gastados.	Contactar con el Servicio Técnico.
Flujo de la disolución escaso o nulo.	Interruptor de la disolución apagado.	Encender el interruptor de la disolución.
	Tubería de la disolución o filtro del depósito de la disolución bloqueados.	Extraer la manguera y limpiarla con aire comprimido. Aclarar el depósito de la disolución después de cada uso.
	Válvula o solenoide de la disolución bloqueados.	Retirar la válvula o el solenoide y limpiar. No raye el interior de la válvula.
	Interruptor o solenoide de la disolución defectuoso.	Contactar con el Servicio Técnico.
	Es necesario ajustar el botón de ajuste del flujo de la disolución.	Girar el botón de ajuste del flujo de disolución al ajuste deseado.
	Sistema ES™ opcional: Filtro ES™ bloqueado.	Extraer y limpiar el filtro ES™
	Sistema ES™ opcional: Bomba ES™ defectuosa.	Contactar con el Servicio Técnico.

OPERACIÓN

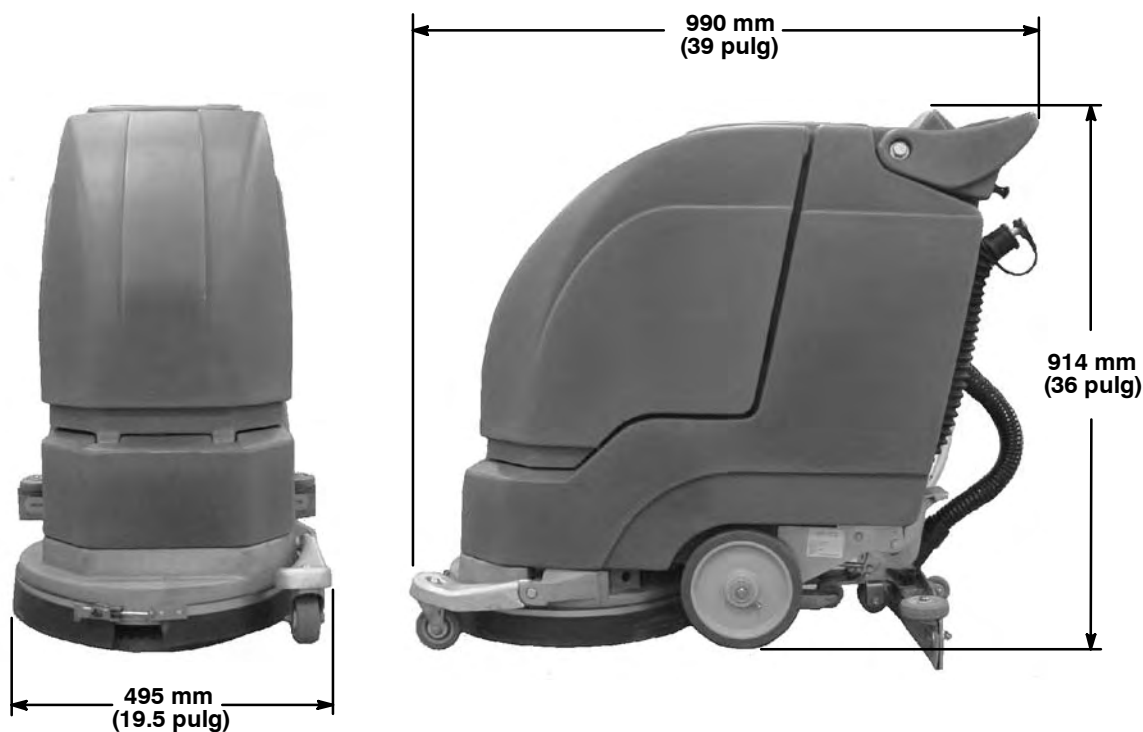
LOCALIZACIÓN DE AVERÍAS - continuación

PROBLEMA	CAUSA	SOLUCIÓN
Recogida insuficiente de agua.	Depósito de recuperación lleno y flotador de cierre activado.	Vaciar el depósito de recuperación.
	Filtro del flotador de cierre del interior del depósito de recuperación bloqueado.	Extraer el filtro y limpiar.
	Escobilla de goma bloqueada.	Limpiar la escobilla de goma.
	Láminas de la escobilla de goma gastadas.	Sustituir las láminas de la escobilla de goma.
	Palometas de la escobilla de goma sueltas.	Apretar las palometas.
	Conexiones de la manguera de aspiración sueltas o manguera perforada.	Introducir bien la manguera de aspiración en sus conexiones. Sustituir la manguera si está dañada.
	Manguera de aspiración bloqueada.	Retirar los residuos que la bloquean.
	Orificio de entrada del depósito de recuperación bloqueado.	Vaciar el depósito de recuperación y levantarlo lateralmente para poder acceder al orificio de entrada, retirar la obstrucción.
	Junta del depósito defectuosa.	Sustituir la junta.
	Tapón de la manguera de vaciado mal cerrado.	Cerrar bien el tapón de vaciado.
	Tapa del depósito de recuperación mal cerrada.	Cerrar bien la tapa.
	Motor de aspiración suelto.	Contactar con el Servicio Técnico.

ESPECIFICACIONES

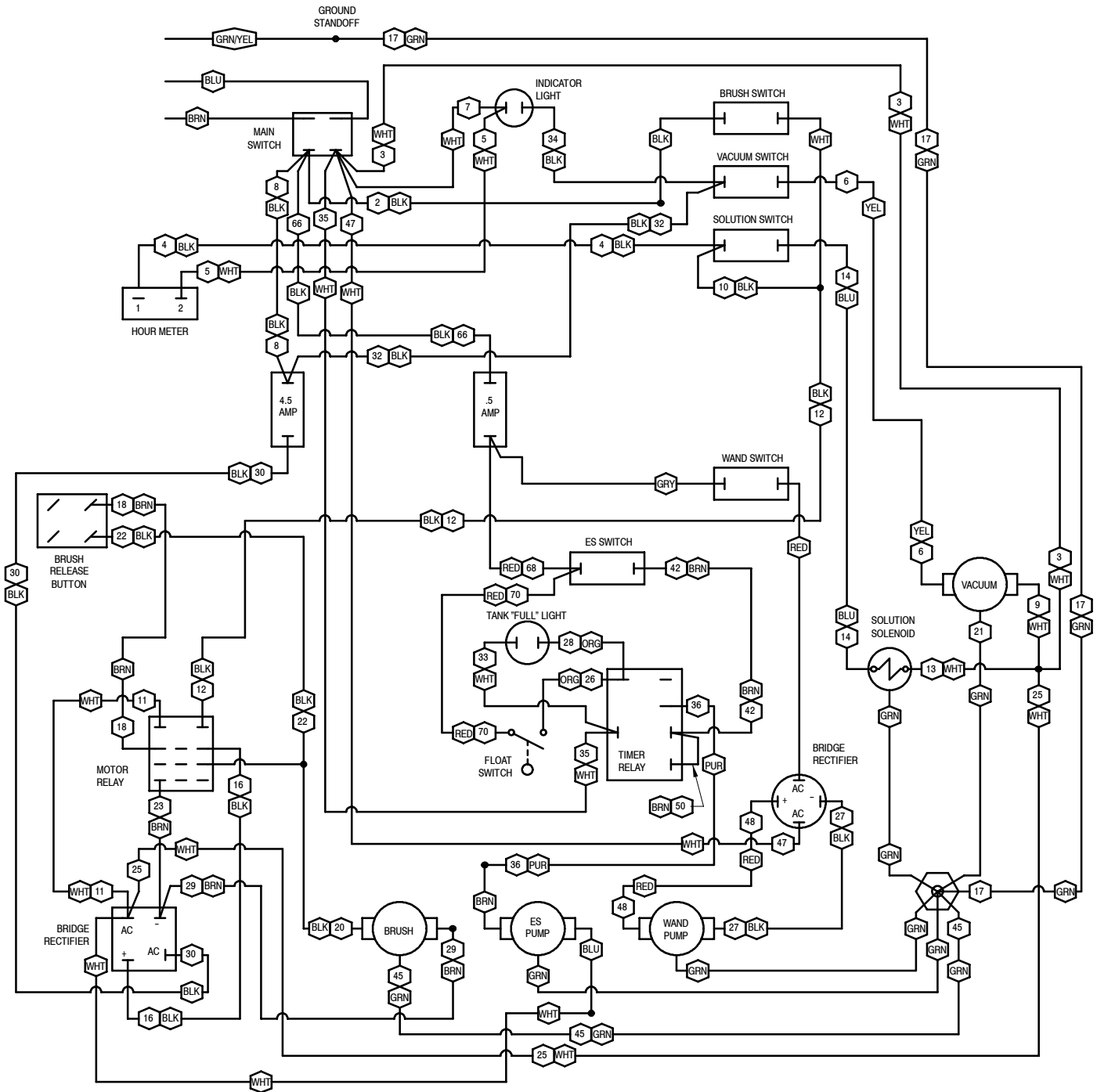
MODELO	5100
LONGITUD	990 mm (39 pulg.)
ANCHURA	495 mm (19.5 pulg.)
ALTURA	914 mm (36 pulg.)
PESO	71kg (158lbs.)
LONGITUD DEL CABLE ELÉCTRICO	23m (75 ft.)
CAPACIDAD DEL DEPÓSITO DE RECUPERACIÓN	28.5L (7.5 Gal.)
CAPACIDAD DEL DEPÓSITO DE LA DISOLUCIÓN	28.5L (7.5 Gal.)
CAPACIDAD DE LLENADO DE DISOLUCIÓN DEL SISTEMA ES™ OPCIONAL	42.5L (11.25 Gal.)
SISTEMA IMPULSOR	Impulsado por el cepillo
TASA DE LIMPIEZA	1375 m ² por hora (14,800 sq. ft. per hora)
ANCHURA DEL CARRIL DE LIMPIEZA	430 mm (17 pulg.)
DIÁMETRO DE LA ALMOHADILLA	430 mm (17 pulg.)
PRESIÓN DE LA ALMOHADILLA	Variable - 18-30 kg. (40-66lbs.)
ANCHURA DE LA ESCOBILLA DE GOMA	670 mm (26.5 pulg.)
POTENCIA TOTAL	Nominal 8 Amp
MOTOR DEL CEPILLO	.6 cv, 175 rpm, 230V, 3.6A
MOTOR DE ASPIRACIÓN	.66 h.p., 2-fases 5.7", 230V, 2.2A, 496W
ELEVACIÓN DE AGUA	1140 mm (45 pulg.)
NIVEL DE RUIDO EN DECIBELIOS A LA ALTURA DEL OPERARIO EN RECINTO CERRADO CON SUELO DE BALDOSAS.	69.5dB(A)

DIMENSIONES DE LA MÁQUINA

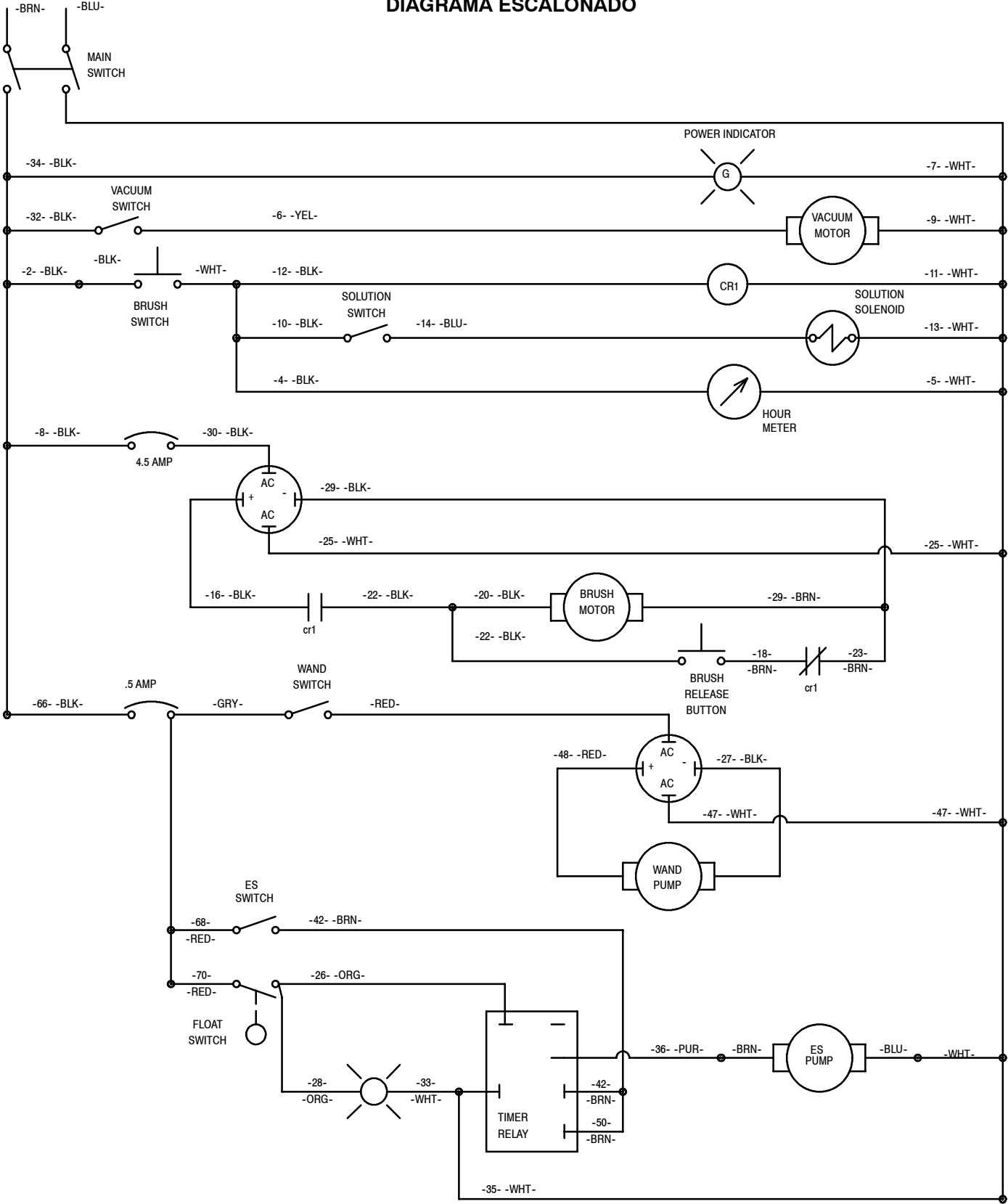


ELECTRICAL DIAGRAMS DIAGRAMAS ELECTRICAS

WIRING DIAGRAM - 220V/230V DIAGRAMA DE CABLEADO

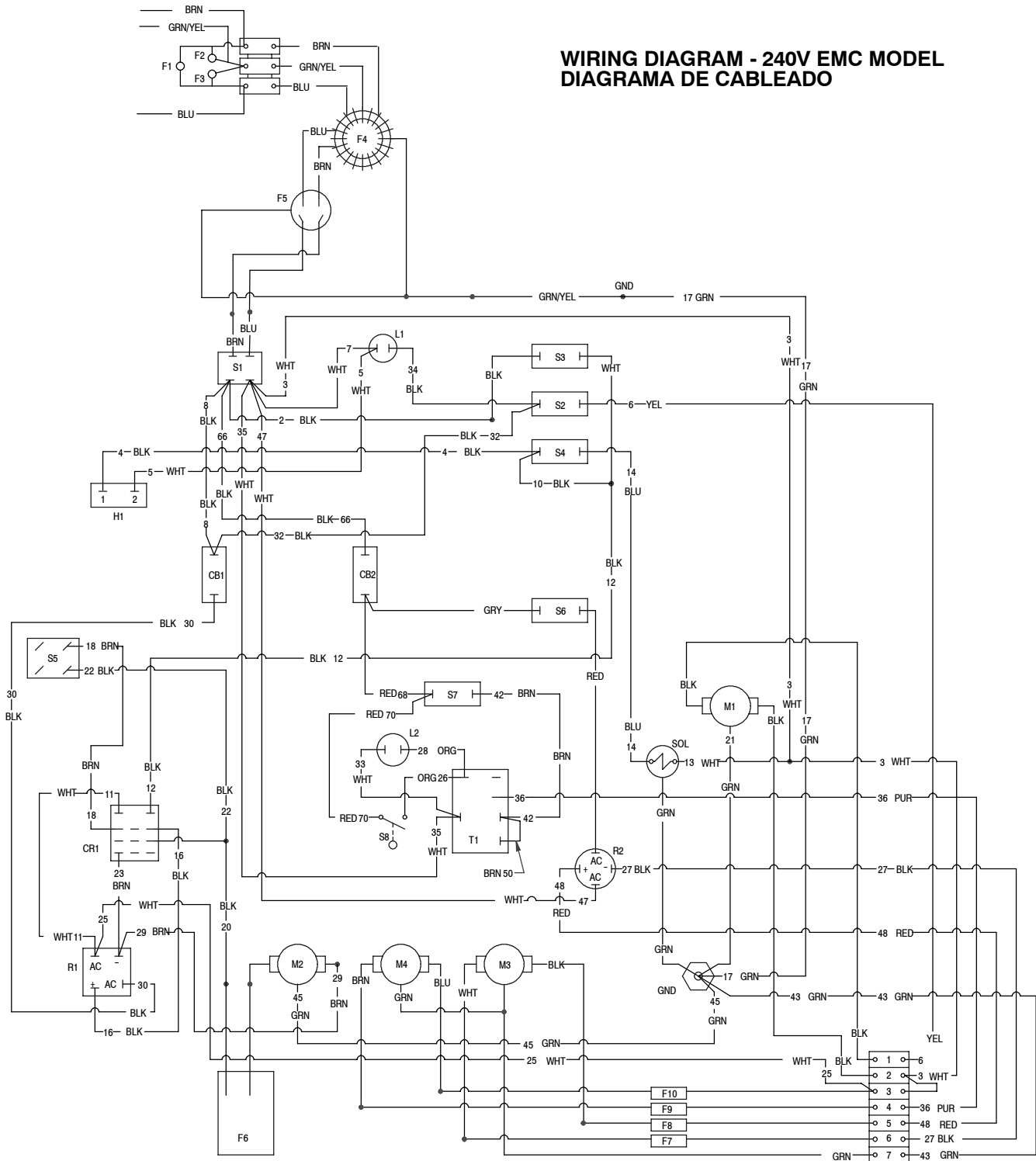


LADDER DIAGRAM - 220V/230V
DIAGRAMA ESCALONADO



ELECTRICAL DIAGRAMS DIAGRAMAS ELECTRICAS

WIRING DIAGRAM - 240V EMC MODEL DIAGRAMA DE CABLEADO



REF LEGEND

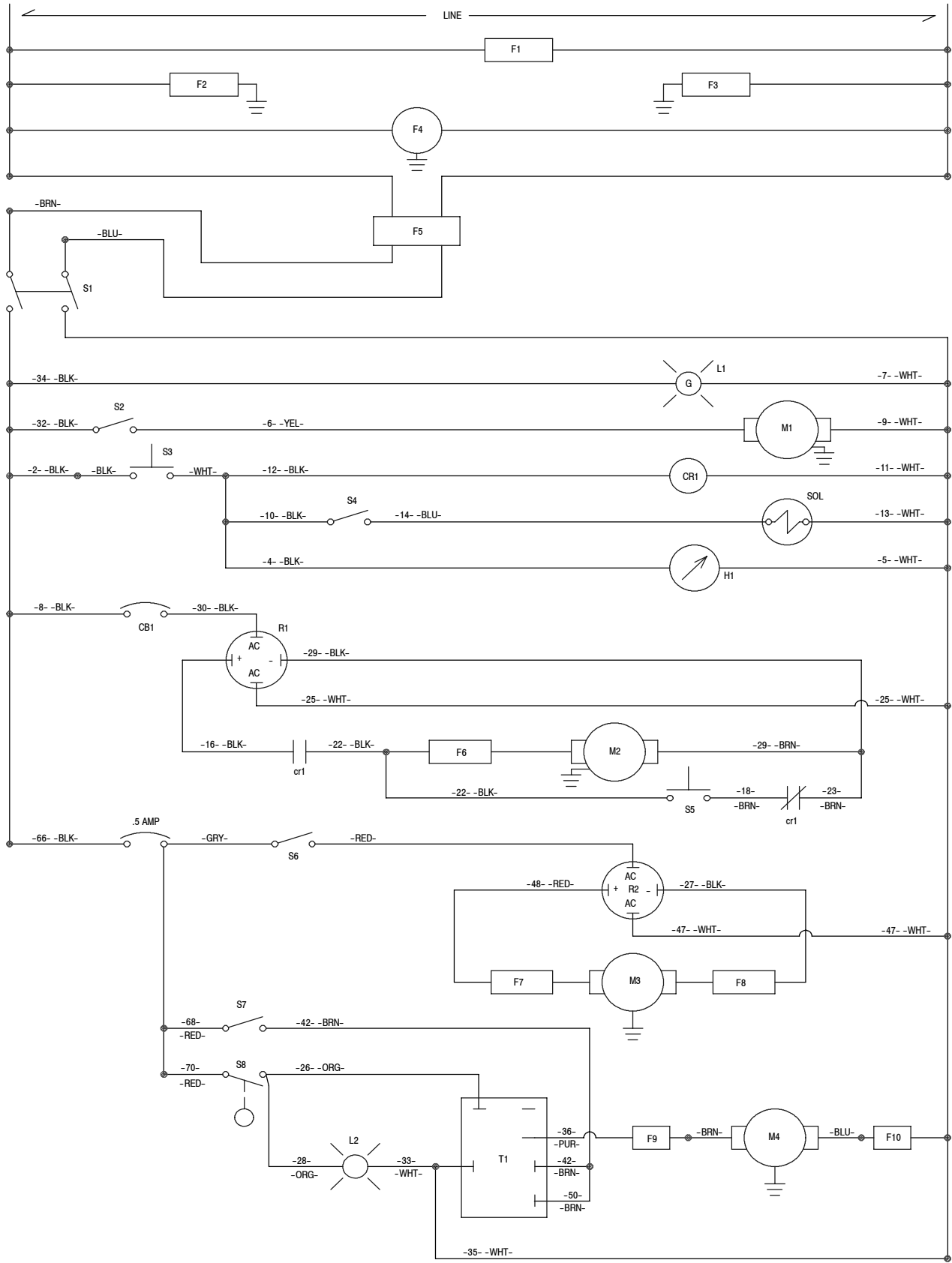
RED= Red
BLK= Black
GRN= Green
WHT= White
ORG= Orange
BLU= Blue
BRN= Brown
PUR= Purple
YEL= Yellow

CR1 = Contactor Coil
cr1 = Contactor Relay
CB1 = Circuit Bkr. Main 4.5A
CB2 = Breaker, Circuit .5A
H1= Hourmeter
L1= Light, Indicator
L2= Light, Full Tank
M1= Motor, Vacuum
M2= Motor, Brush

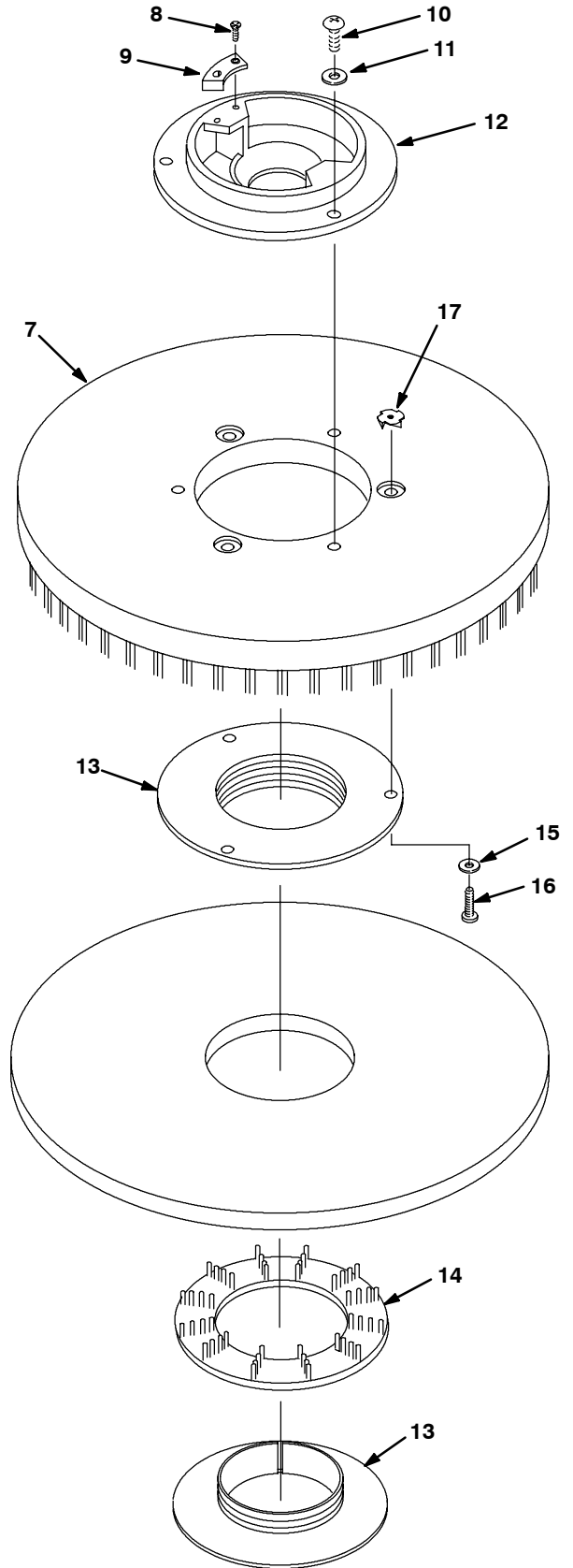
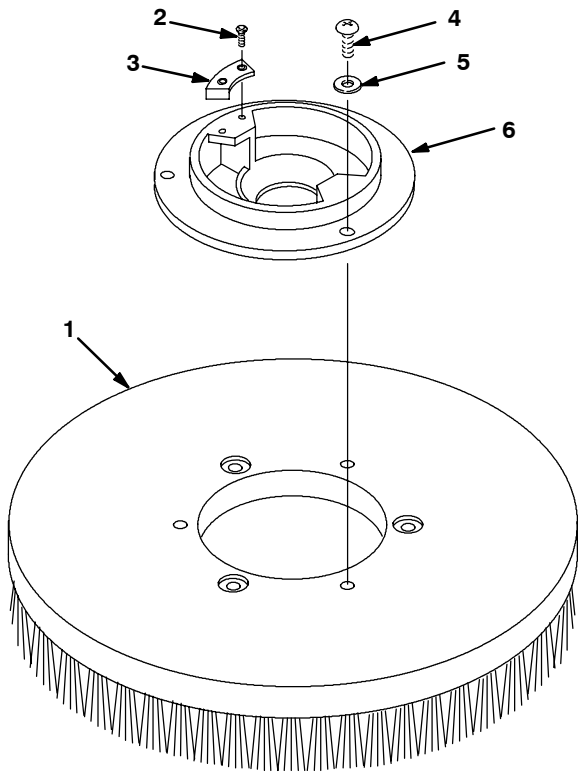
M3= Motor, Wand
M4= Motor, Recycle
S1= Switch, Main
S2= Switch, Vacuum
S3= Switch, Brush
S4= Switch, Solution
S5= Switch, Brush Release
S6= Switch, Wand
S7= Switch, Recycle

S8= Switch, Float
Sol= Valve, Solenoid
T1= Relay, Timer
V1= Voltmeter
F1-10= Filter
GND= Ground
R1= Bridge Rectifier
R2= Rectifier, Bridge

LADDER DIAGRAM - 240V EMC MODEL
DIAGRAMA ESCALONADO



REPLACEMENT BRUSHES AND PAD DRIVER GROUP
SUSTITUCIÓN DEL CONJUNTO DEL IMPULSOR DE LA ALMOHADILLA Y CEPILLOS



**REPLACEMENT BRUSHES AND PAD DRIVER GROUP
SUSTITUCIÓN DEL CONJUNTO DEL IMPULSOR DE LA ALMOHADILLA Y CEPILLOS**

REF	PART #	DESCRIPTION	QTY.
▽ 1	370000	●ASM., BRUSH 17" NYLON SCRUB	1
	370002	●ASM., BRUSH 17" GRIT STRIP	1
	370007	●ASM., BRUSH 17" POLY SCRUB	1
▲ 2	370052	SCREW, FLT #06 X 0.31	4
▲ 3	603438	PLATE, WEAR	2
▲ 4	32746	SCREW, PAN M6 X 1.0 X 35	3
▲ 5	01684	WASHER, FLAT 0.25	3
▲ 6	601453	●PLATE, CLUTCH	1

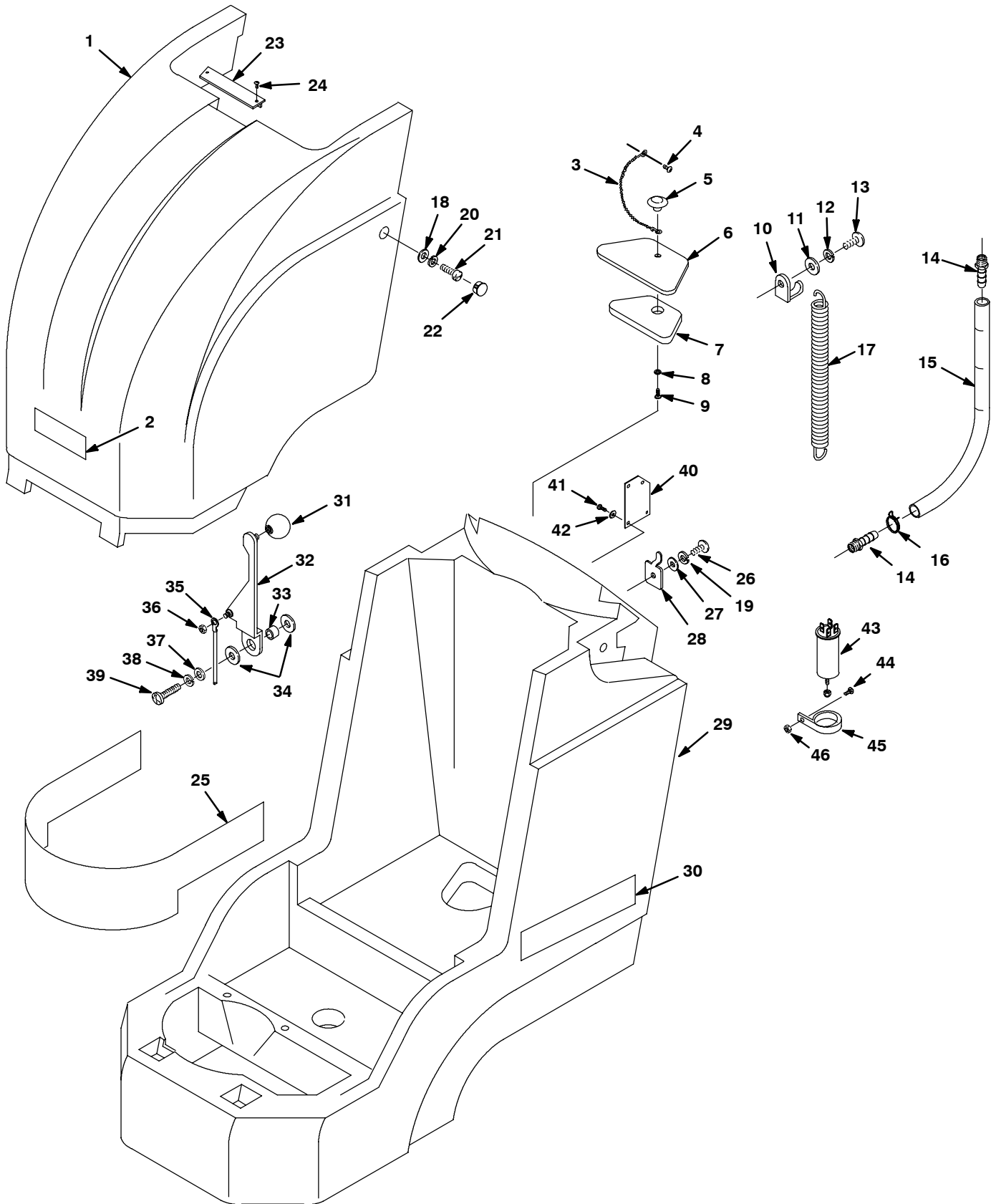
▽ ASSEMBLY / CONJUNTO

▲ INCLUDED IN ASSEMBLY / INCLUIDO EN EL CONJUNTO

● RECOMMENDED STOCK ITEMS / ARTICULOS RECOMENDADOS PARA
MANTENER EN EXISTENCIA

REF	PART #	DESCRIPTION	QTY.
▽ 7	606227	●ASM., PAD DRIVER 17"	1
▲ 8	370052	SCREW, FLT #06 X 0.31	4
▲ 9	603438	PLATE, WEAR	2
▲ 10	32746	SCREW, PAN M6 X 1.0 X 35	3
▲ 11	01684	WASHER, FLAT 0.25	3
▲ 12	601453	●PLATE, CLUTCH	1
▲ 13	603991	●PAD HOLDER	1
▲ 14	32505	WASHER, BRUSH PAD 5.65D	1
▲ 15	41579	WASHER, FLAT #08	3
▲ 16	04403	SCREW, PAN M4X0.7X25 NY	3
▲ 17	10908	NUT, T M4 X 0.7	3

SOLUTION TANK GROUP
GRUPE DEL DEPÓSITO DE DISOLUCIÓN



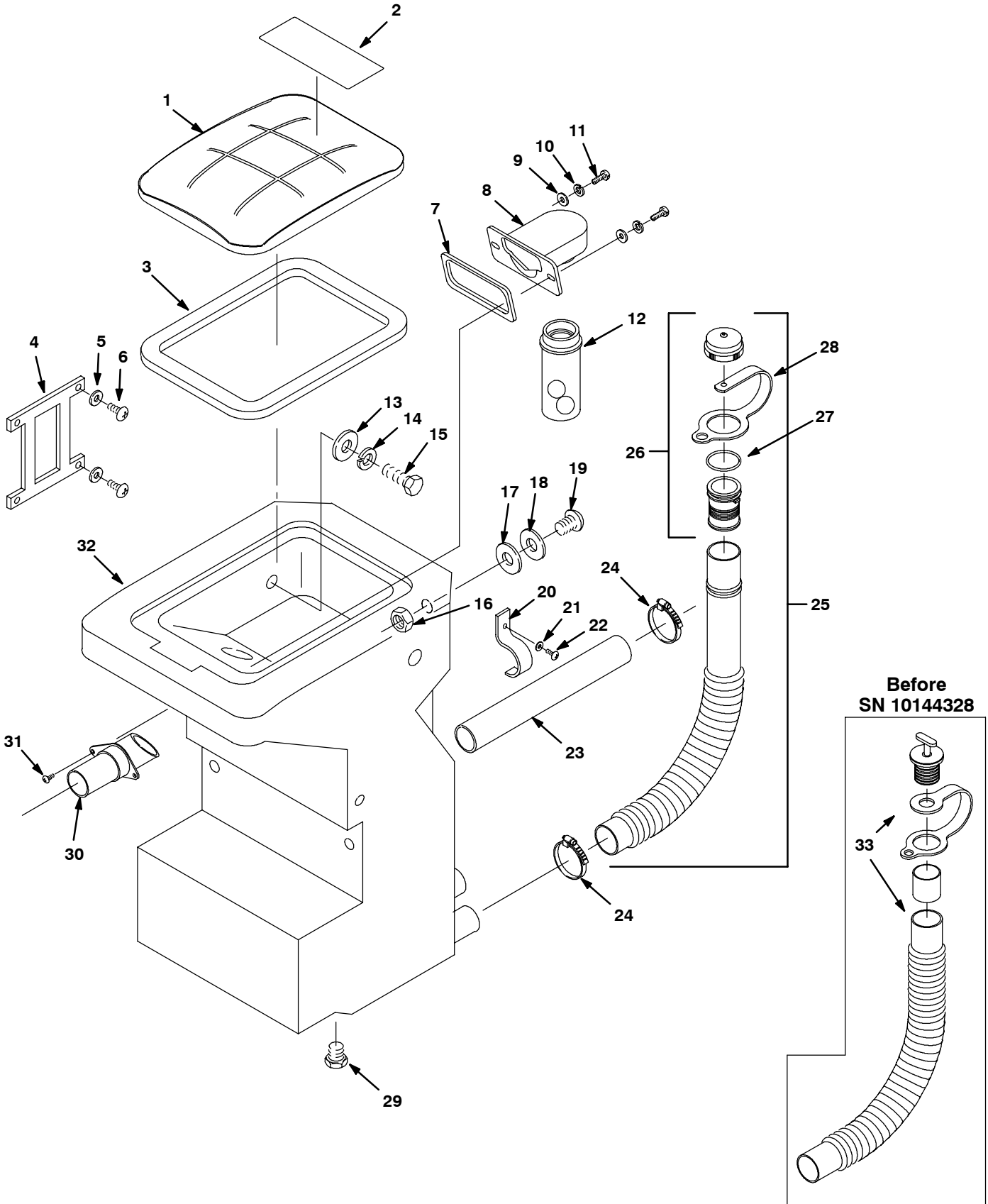
SOLUTION TANK GROUP
GRUPE DEL DEPÓSITO DE DISOLUCIÓN

REF	PART #	DESCRIPTION	QTY.
1	609205	COVER, BATTERY, TEAL	1
2	120192	LABEL, LOGO TENNANT 7.062	1
3	230513	CHAIN ASSEMBLY	1
4	140825	SCREW, #6X1/2 PANPHL SHTMTL	1
5	578301	KNOB, FILL COVER	1
6	610108	COVER, REAR FILL BLACK	1
7	610109	GASKET, REAR FILL COVER	1
8	07514	WASHER, LOCK INT #10	1
9	578201000	SCREW 10-32X.5 PAN PHL	1
10	610204	BRACKET, SPRING	1
11	140027	WASHER, FLAT 0.35B 0.75D .04	1
12	140015	WASHER, LOCK SPLIT 0.31	1
13	15675	SCREW, HEX M8X1.25X16	1
14	14884	FITTING, BRS STR BM08/PM06	2
15	610256	HOSE, DRAIN W/LEVEL INDICATOR	1
16	607776	CLAMP, HOSE .73-.77 WIRE BLK	1
17	140431	SPRING, BRUSH PRESSURE	1
18	140027	WASHER, FLAT 0.35B 0.75D .04	2
19	140016	WASHER, LOCK 0.25	1
20	200370019	WASHER, LOCK M8.4	2
21	602069000	SCREW, PAN M8X1.25X50 SLT	2
22	130175	PLUG, DOME 0.75OD BLACK	2
23	603165	PLATE, COVER	1
24	140826	SCREW, PAN #6X3/4" PHL SHTMTL	2

REF	PART #	DESCRIPTION	QTY.
25	604707	SHIELD, BRUSH MOTOR	1
26	363503	SCREW, PAN M6X1.0X12	1
27	140000	WASHER, FLAT 0.28B 0.62D .04	1
28	601460	CLIP, HOSE DRAIN	1
29	613353	TANK, SOLUTION, TEAL	1
	610102	KIT, TANK, SOLUTION, TEAL (BEFORE SN 10072679)	1
30	609066	LABEL, SIDE 5100	2
31	601425	KNOB, BALL	1
32	601426	LEVER, SQUEEGEE	1
33	601427	SLEEVE, 0.625D 0.320B 0.336 STL	1
34	601437	WASHER, .62X1.25	2
35	601428	CABLE, SQUEEGEE	1
36	601476	NUT, 1/4-20 LOCK TWO-WAY	1
37	140055	WASHER, .343X1.25X.051-.080	1
38	140015	WASHER, LOCK SPLIT 0.31	1
39	630425	SCREW, PAN M8X1.25X20 PHL	1
40	606350	SEAL, POWER CORD (EMC MODEL)	1
41	140825	SCREW, #6X1/2 (EMC MODEL)	4
42	140041	WASHER, FENDER (EMC MODEL)	4
43	600383	FILTER, RFI (EMC MODEL)	4
44	140823	SCREW, 10-24X5/8 (EMC MODEL)	4
45	600749	CLAMP (EMC MODEL)	4
46	140552	NUT, NYLOCK (EMC MODEL)	4

● RECOMMENDED STOCK ITEMS / ARTICULOS RECOMENDADOS PARA
MANTENER EN EXISTENCIA

RECOVERY TANK GROUP
CONJUNTO DESPOSITO RECUPERAR



RECOVERY TANK GROUP
CONJUNTO DESPOSITO RECUPERAR

REF	PART #	DESCRIPTION	QTY.
▽ 1	614276	●ASM., LID & LABEL	1
▲ 2	613283	LABEL, WARNING SCRUB 6X2.25	1
▲ 3	630367	●GASKET, REC. TANK	1
4	630056	STRAP, TANK COVER	1
5	1009168	WASHER, FLAT 0.174X0.75X0.04	4
6	3701.6	SCREW, PAN #6X3/8 PHL SHTMTL	4
7	630255	GASKET, FLOAT MOUNT	1
8	630053	MOUNT, FLOAT CAGE	1
9	140000	WASHER, FLAT 0.28B 0.62D .04	2
10	140016	WASHER, LOCK 0.25	2
11	600385	SCREW, PAN M06X1.0X20 PHL	2
12	630052	●FLOAT, SHUT-OFF (2) BALL	1
13	140027	WASHER, FLAT 0.35B 0.75D .04	2
14	140015	WASHER, LOCK SPLIT 0.31	2
15	09010	SCREW, M08X1.25X25MM	2
16	603418	NUT, 5/8-11 HEX NYLON	1

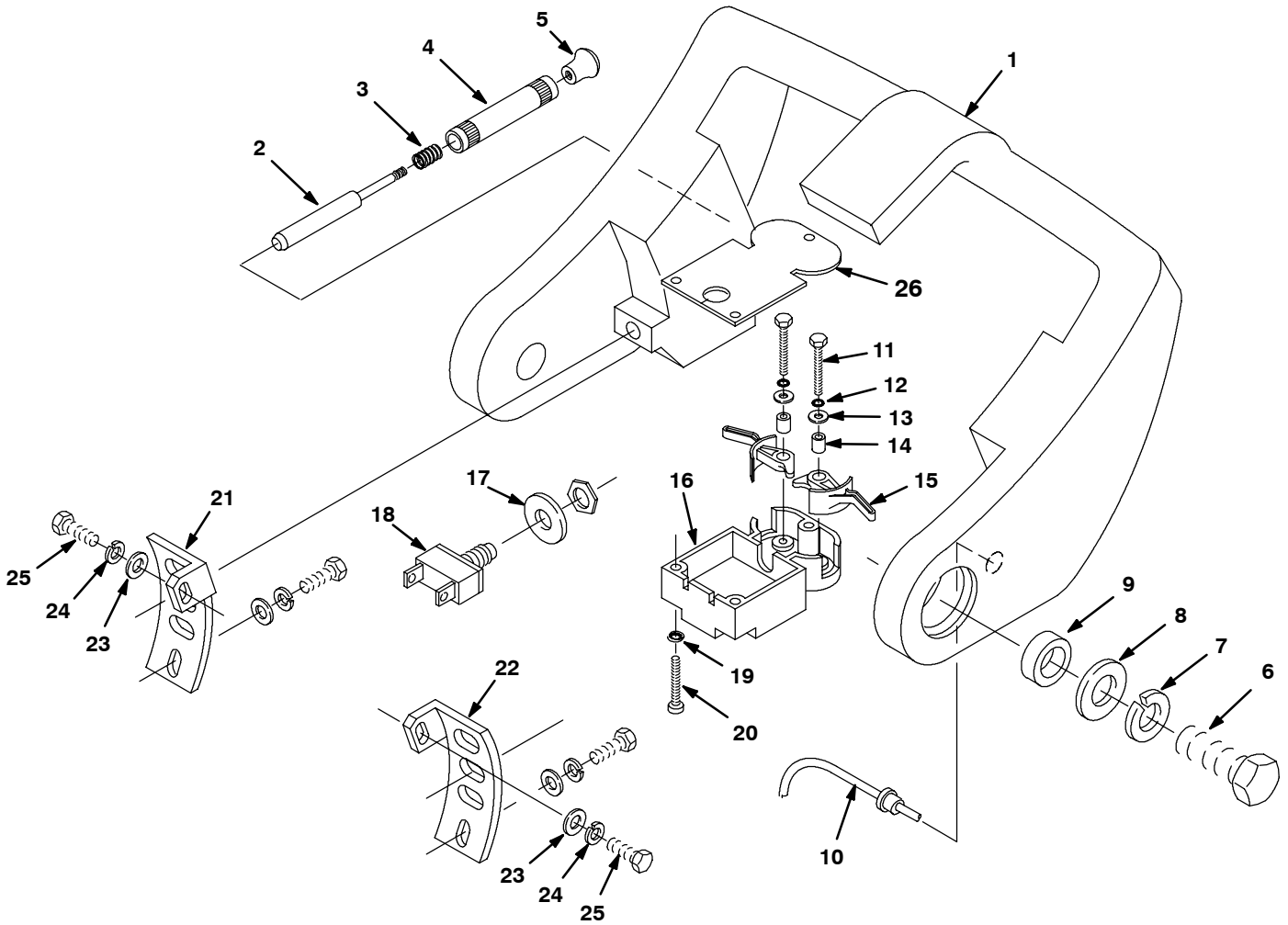
REF	PART #	DESCRIPTION	QTY.
17	605147	WASHER, RUBBER 1.50D	1
18	601437	WASHER, NYLON	1
19	609709	SCREW, 5/8-11X1" BTTSOCHD	1
20	601462	CLAMP, 1-1/4 CONDUIT	1
21	140016	WASHER, LOCK 0.25	1
22	363503	SCREW, PAN M6X1.0X12	1
23	240177	TUBE, BASE INLET	1
24	614157	CLAMP, HOSE 27MM TO 51MM	3
▽ 25	1010481	●ASM., DRAIN HOSE	1
▲▽ 26	1008639	●ASM., CAP, DRAIN HOSE	1
▲ 27	1008637	●O-RING, 1.48"ID, 1.76"OD	1
▲ 28	1019563	●STRAP, DRAIN CAP	1
29	630147	FITTING, PLSTC PM12 HEX	1
30	160485	●ADAPTER, HOSE	1
31	200070382	SCREW, FIL M05X0.8X10 PHL	2
32	609203	TANK, RECOVERY, TEAL	1
33	N/A	HOSE/CAP ASSEMBLY, DRAIN - REPLACED BY ASSEM. ITEM #25	1

▽ ASSEMBLY / CONJUNTO

▲ INCLUDED IN ASSEMBLY / INCLUIDO EN EL CONJUNTO

● RECOMMENDED STOCK ITEMS / ARTICULOS RECOMENDADOS PARA MANTENER EN EXISTENCIA

CONTROL HANDLE GROUP
MANIJA GRUPO



CONTROL HANDLE GROUP
MANIJA GRUPO

REF	PART #	DESCRIPTION	QTY.
1	613359	HANDLE, TEAL	1
	609207	KIT, HANDLE, TEAL (BEFORE SN 10075509)	1
2	601422	PIN, HANDLE LATCH	2
3	601470	SPRING, CMPR 12.2D 1.0W 25.4L	2
4	601421	TUBE, HANDLE LATCH	2
5	601424	KNOB, LATCH	2
6	601435	SCREW, HXHD M12 X 30MM	2
7	140024	WASHER, LOCK 0.50	2
8	140045	WASHER, FLAT 0.51B 1.25D	2
9	1002725	SPACER, 0.875OD 6.504ID 0.62L	2
10	607109	CORD, 18/2 SVTX27 3/8 SJT	1
▽	611469	ASM., TRIGGER CONTROL BOX	1
▲ 11	069764190	SCREW, HEX M03X0.5X16	2
▲ 12	200662012	WASHER, LOCK INT M3	2

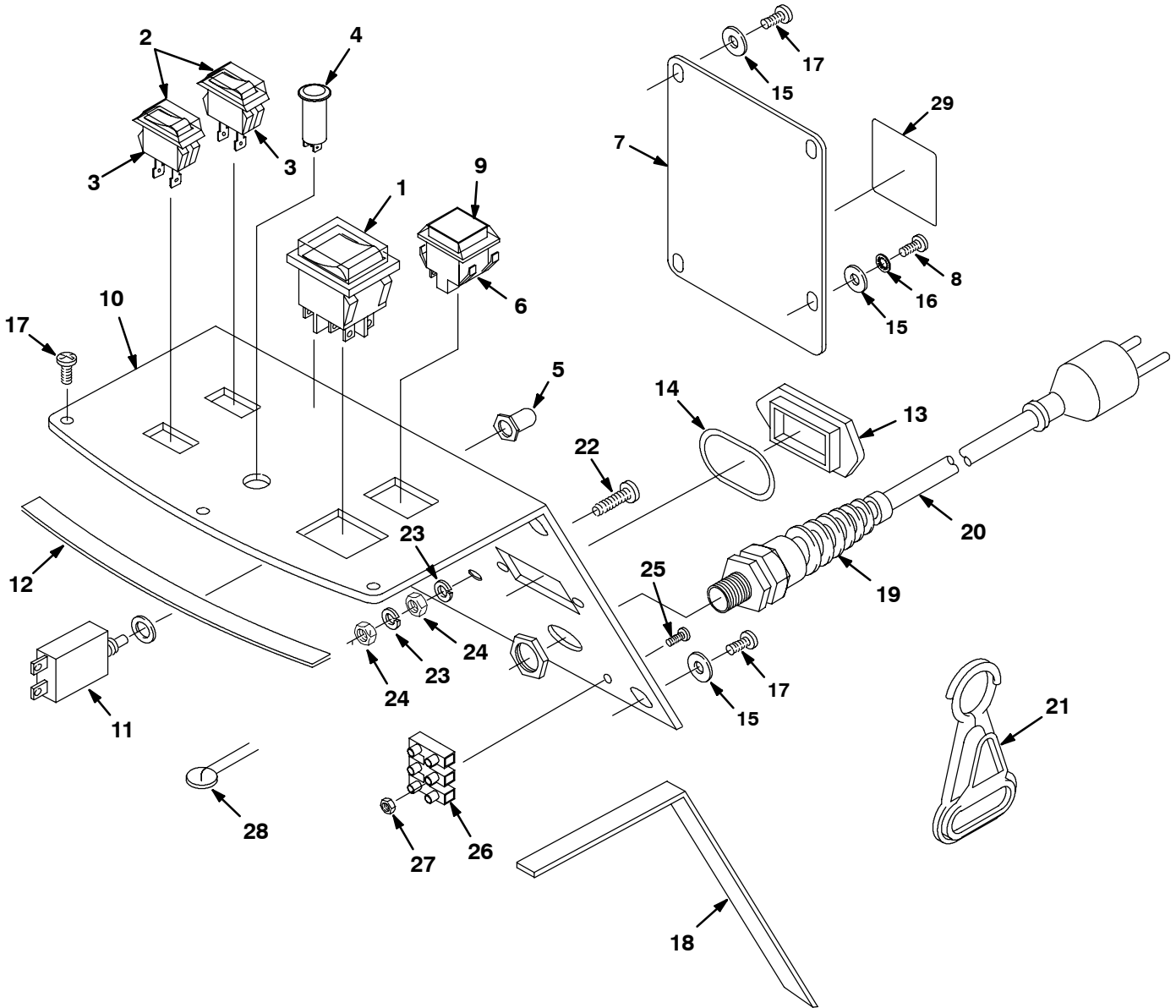
REF	PART #	DESCRIPTION	QTY.
▲ 13	578186000	WASHER, FLAT M4	2
▲ 14	578082000	SPACER, .14 X .31 X .44 NY	2
▲ 15	578002000	ARM, TRIGGER	2
▲ 16	601429	CONSOLE, TRIGGER	1
▲ 17	578430	WASHER, FLAT 0.50 SPRING DISC	1
▲ 18	130712	●SWITCH, PULSE	1
19	140061	WASHER, #8 EXT	3
20	33931	SCREW, PAN M04X0.7X30 PHL	3
21	601423	BRACKET, LATCH RIGHT	1
22	601465	BRACKET, LATCH LEFT	1
23	140027	WASHER, FLAT 0.35B 0.75D .04	4
24	140015	WASHER, LOCK SPLIT 0.31	4
25	630425	SCREW, PAN M8 X 1.25 X 20 PHL	4
26	606349	GASKET, TRIGGER (EMC MODEL)	1

▽ ASSEMBLY / CONJUNTO

▲ INCLUDED IN ASSEMBLY / INCLUIDO EN EL CONJUNTO

● RECOMMENDED STOCK ITEMS / ARTICULOS RECOMENDADOS PARA
MANTENER EN EXISTENCIA

CONTROL CONSOLE GROUP
CONJUNTO CONSOLA DE CONTROLES



For 240v EMC machine:
 Use 9003049 Switch Kit for machines prior to serial number 10310687
 Use 1034065 Switch for machines with serial number 10310687 and above.

PARTS LIST
LISTA DE PIEZAS

CONTROL CONSOLE GROUP
CONJUNTO CONSOLA DE CONTROLES

Use 1033678 cord for 240v EMC machine

REF	PART #	DESCRIPTION	QTY.
1	602670	●SWITCH, ROCKER DPST	1
2	578720	SPLASHGUARD, RCKR SWITCH	2
3	578005000	●SWITCH, ROCKER	2
4	130691	●LIGHT, INDICATOR GRN 250VDC	1
5	578734	SEAL, SPLASHGUARD CIRCUIT BREAKER	1
6	603410	●SWITCH, MOMENTARY GREEN	1
7	601415	PANEL, COVER	1
8	578141000	SCREW, PAN M5X0.8X10 PHL	2
9	130765	BOOT, PUSH BUTTON SPLSHGRD	1
10	601492	PANEL, CONSOLE BLACK 230V	1
11	582510	●BREAKER, CIRCUIT 4.5AMP	1
12	601497	GASKET, CONSOLE 7.25"	2
13	609969	PLUG, HOUR METER	1
14	605823	O-RING, .926ID X .99600	1
15	140011	WASHER, FLAT 0.21B 0.450 .03	6
16	07514	WASHER, LOCK INT #10	2
17	1009324	SCREW, PAN PHL 10X1/2 TY17 BLK	7

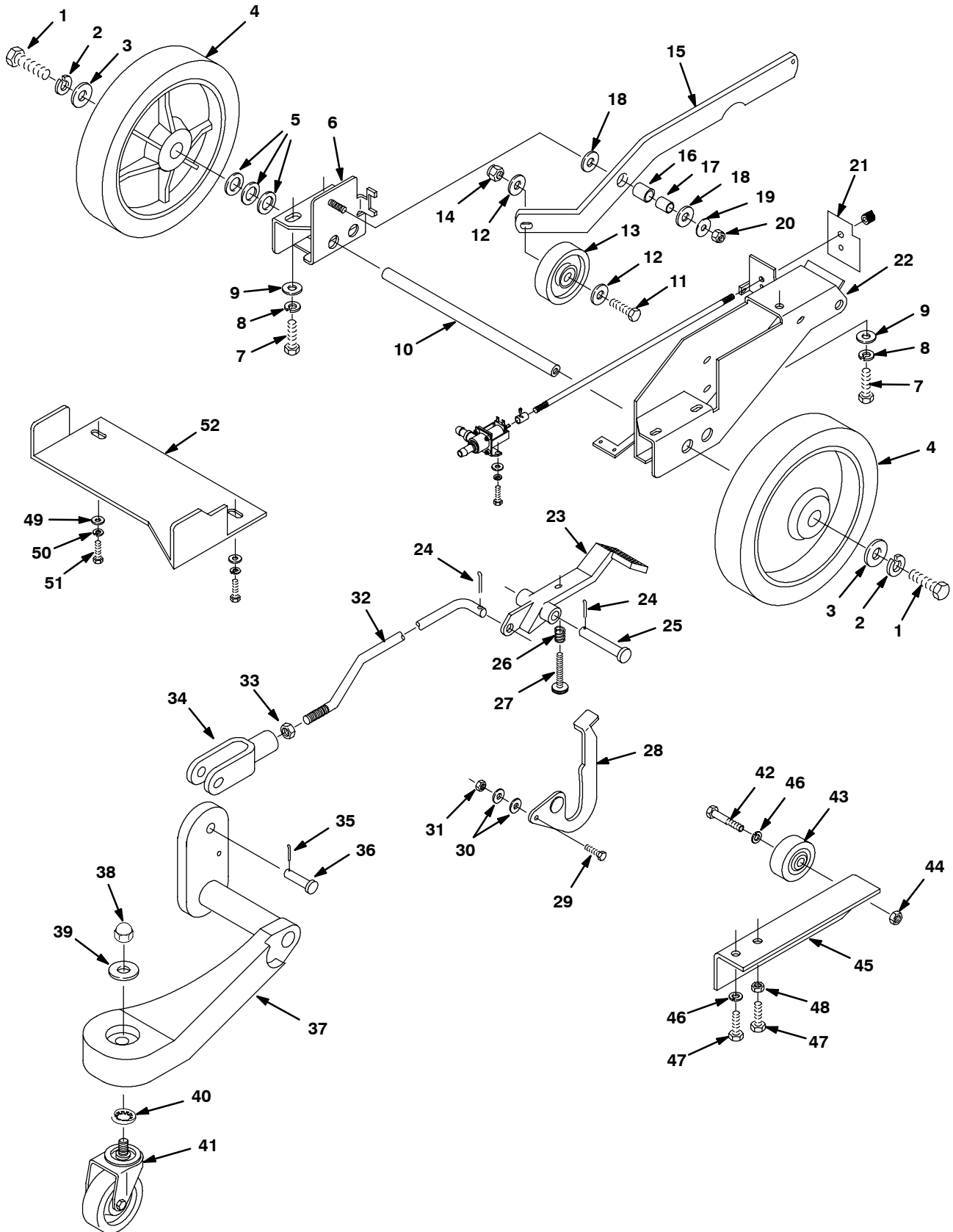
REF	PART #	DESCRIPTION	QTY.
18	601498	GASKET, CONSOLE 8"	2
19	130167	●STRAIN-RELIEF CORD ELE .50 NPT BLACK NYL	1
20	600396	CORD, 3X1.5MM2X23M BLK 220V/230V	1
	130125	TERMINAL RING #10 16-14	1
	281004001	TERMINAL, FEM .25 22-18GA RED	2
21	130176	CLIP, CORD STRAIN-RELIEF BELT	1
22	578302000	SCREW, PAN M5X0.8X20 PHL	1
23	200655016	WASHER, M5.1 LOCK	3
24	140297	NUT, HEX STD M5X0.8	3
25	140946	SCREW, 6-32X1 (EMC MODEL)	1
26	130005	STRIP, TERMINAL 25A (EMC MODEL)	1
27	140534	NUT, 6-32 (EMC MODEL)	1
28	606344	VARISTOR S14K 275 (EMC MODEL)	3
29	606105	LABEL, HAZARD DO NOT SPRAY	1
N/S	604702	HARNESS, MAIN (230V)	1

▽ ASSEMBLY / CONJUNTO

▲ INCLUDED IN ASSEMBLY / INCLUIDO EN EL CONJUNTO

● RECOMMENDED STOCK ITEMS / ARTICULOS RECOMENDADOS PARA MANTENER EN EXISTENCIA

WHEEL GROUP
CONJUNTO DE LA RUEDA



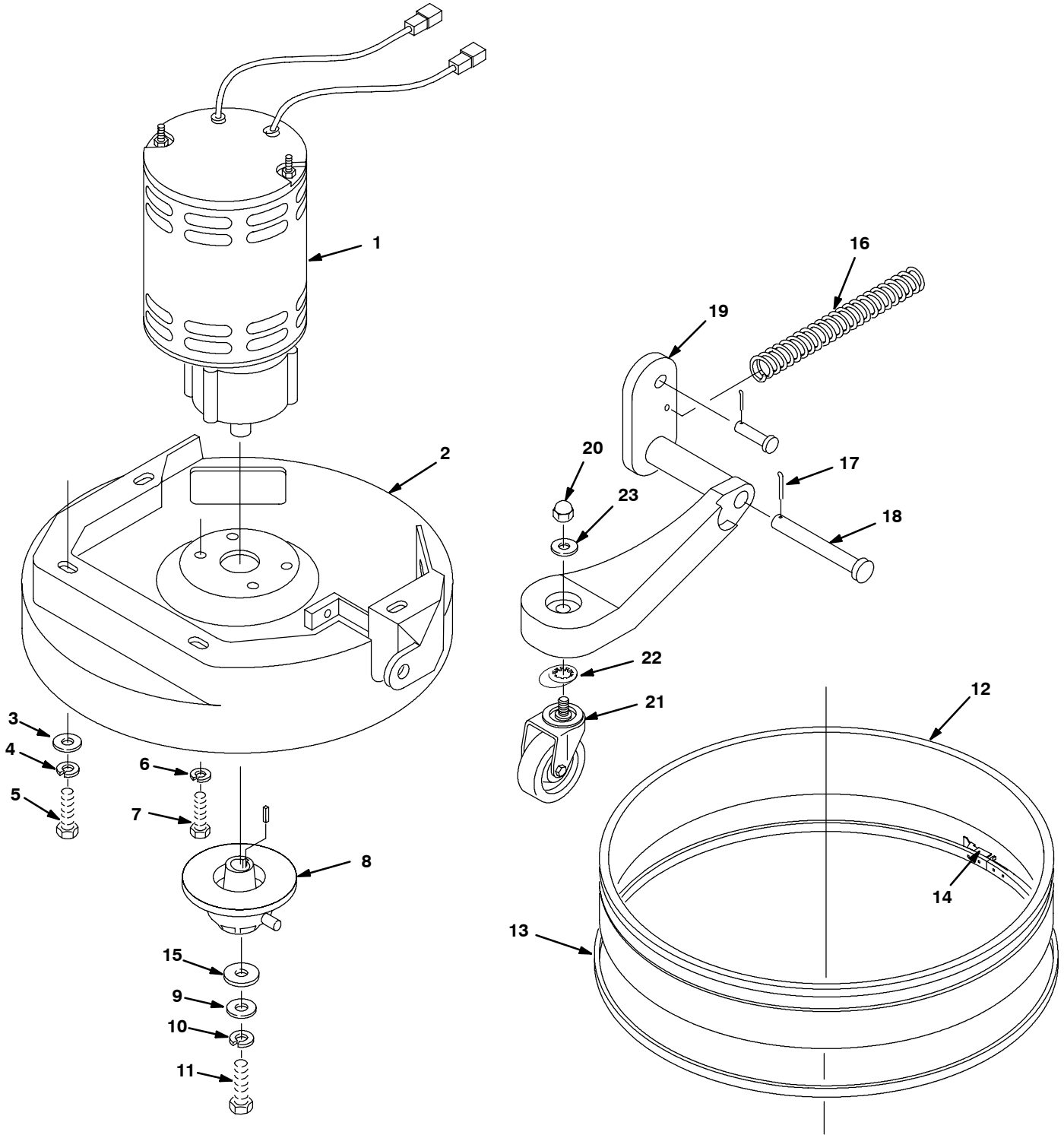
WHEEL GROUP
CONJUNTO DE LA RUEDA

REF	PART #	DESCRIPTION	QTY.
1	02994	SCREW, HEX .38-16X0.75	2
2	140017	WASHER, LOCK SPLIT 0.38	2
3	140028	WASHER, FLAT 0.42B 1.00D .05	2
4	1012021	●WHEEL, 8.0D 1.50W POLY	2
5	140047	WASHER, 1.246X.754X.062	3
6	1011518	MOUNT, WELDMENT AXLE	1
7	12333	SCREW, HEX, M8X1.25X25, SS, NL	5
8	140015	WASHER, LOCK SPLIT 0.31	5
9	140028	WASHER, FLAT 0.42B 1.00D .05	5
10	601448	AXLE, .75D X 15.20	1
11	140256	SCREW, .38-16X2.50	1
12	140028	WASHER, FLAT 0.42B 1.00D .05	2
13	613974	●KIT, 4" WHEEL AND BUSHING	1
14	59156	NUT, HEX LOCK .38-16 NL	1
15	601458	MOUNT, WHEEL BRUSH	1
16	630188	BEARING, .50"IDX.25LG JOURNAL	1
17	630189	SLEEVE, 0.496D 0.318B 0.21L STL	1
18	20536-2	WASHER, FLAT, 0.47B 1.19D .03 NL	2
19	140055	WASHER, FLAT	1
20	08709	NUT, HEX LOCK M8 X 1.25 NL	1
21	601491	DECAL, SOLUTION CONTROL	1
22	1011934	MOUNT, AXLE PEDAL	1
23	601444	PEDAL, HEAD LIFT	1
24	39005	PIN, COTTER .094 X 0.75	2
25	601471	PIN, CLEVIS 0.50D X 2.50L	1
26	578140000	SPRING, COMPR 16.8D 1.2W 25.4L	1
27	603145	KNOB, 5/16-18F 1"DIA	1

REF	PART #	DESCRIPTION	QTY.
28	601445	PEDAL, LATCH RELEASE	1
29	16931	SCREW, M8X1.25X20MM	1
30	32491	WASHER, FLAT 0.31	2
31	08709	NUT, HEX LOCK M8 X 1.25NL	1
32	601442	ROD, CASTER MOUNT	1
33	20171	NUT, HEX JAM .38-24	1
34	578085000	YOKE, ADJUSTMENT	1
35	612254000	PIN, HAIRPIN .38" DIA SHAFT	1
36	140608	PIN, CLEVIS 3/8 DIA X 1-1/4	1
37	606537	MOUNT, CASTER	1
38	614313	NUT, 1/2-13 CPACRN BRS	1
39	3148.816	WASHER, 0.52B 0.88D .06 STL	1
40	140029	WASHER, 9/16 INT. TOOTH	1
41	601443	●CASTER, SWIVEL	1
42	630478	SCREW, SHLD .38D X 1.00 .31-18	2
43	630477	●WHEEL, 2.0D 0.38W POLY GRAY	2
44	601108000	NUT, 5/16-18 HXLCK THIN NY	2
45	604323	BRACKET, STOP	2
46	140015	WASHER, LOCK SPLIT 0.31	4
47	09010	SCREW, HEX ,8X1.25X25	4
48	200101017	NUT, HEX M8X1.25 HXJM	2
49	140027	WASHER, 5/16 FLAT (EMC MODEL)	2
50	140015	WASHER, 5/16 LCK (EMC MODEL)	2
51	140275	SCREW, M8X1.25X16 (EMC MODEL)	2
52	606351	PLATE, SPLASH (EMC MODEL)	1

● RECOMMENDED STOCK ITEMS / ARTICULOS RECOMENDADOS PARA MANTENER EN EXISTENCIA

SCRUB HEAD GROUP
GRUPO DEL CABEZAL DE FREGADO DE DISCO



SCRUB HEAD GROUP
GRUPO DEL CABEZAL DE FREGADO DE DISCO

REF	PART #	DESCRIPTION	QTY.
▽ 1	603151	●MOTOR, .60HP 175RPM 240V	1
▲	190311	●BRUSH, CARBON 1PC	4
▲	630609	GEARBOX	1
▲	140632	KEY	1
2	601440	HEAD CASTING	1
3	140028	WASHER, FLAT 0.42B 1.00 .05	4
4	140015	WASHER, LOCK SPLIT 0.31	4
5	12333	SCREW, HEX, M8X1.25X25, SS, NL	4
6	140017	WASHER, LOCK SPLIT 0.38	4
7	69225	SCREW, HEX .38-16 X 1.00, SS	4
8	611846	HUB, CAST BRUSH DRIVE	1
9	069764631	WASHER, FLAT M8.4 X 25.4 X 4.8	1
10	140015	WASHER, LOCK SPLIT 0.31	1
11	140219	SCREW, HEX .31-18 X 1.00	1

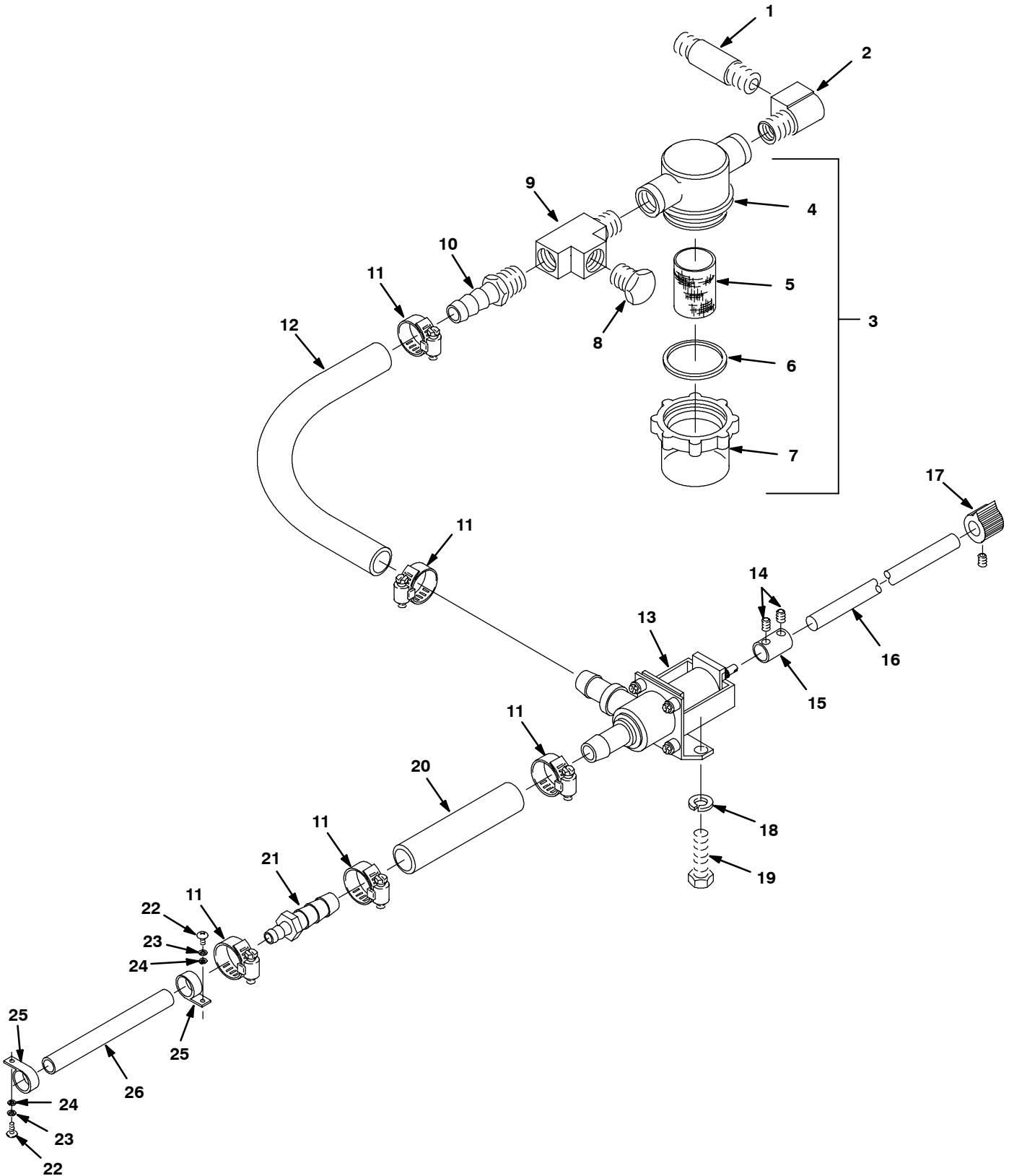
REF	PART #	DESCRIPTION	QTY.
12	601493	●SKIRT, SPLASH GUARD	1
▽ 13	614113	KIT, REPLACEMENT BAND 56"	1
▲ 14	602044000AM	FASTENER, ADJUSTING, SKIRT	1
15	140047	WASHER, 1.246 X .754 X .062	1
16	603148	SPRING, EXT .75 X 4.00 X .085WD	1
17	612254000	PIN, HAIRPIN .38" DIA SHAFT	1
18	069764083	PIN, CLEVIS 1/2 DIA X 5-1/4	1
19	606537	MOUNT, CASTER	1
20	614313	NUT, 1/2-13 CPACRN BRS	1
21	601443	CASTER, SWIVEL 3.0D X 1.25W	1
22	140029	WASHER, 9/16 INT.	1
23	3148.816	WASHER, FLAT 0.52B 0.88D .06	1

▽ ASSEMBLY / CONJUNTO

▲ INCLUDED IN ASSEMBLY / INCLUIDO EN EL CONJUNTO

● RECOMMENDED STOCK ITEMS / ARTICULOS RECOMENDADOS PARA
MANTENER EN EXISTENCIA

PLUMBING GROUP
GRUPO DE TUBERÍAS



PLUMBING GROUP
GRUPO DE TUBERÍAS

REF	PART #	DESCRIPTION	QTY.
1	601489	FITTING, BRS STR PM06X2.0 NIP	1
2	150420	FITTING, 3/8M X 3/8F ELB 90°	1
▽ 3	1005302	●FILTER, INLINE 80 MESH	1
▲ 4	613993	BODY, TOP FILTER	1
▲ 5	1005304	SCREEN, FILTER 80 MESH	1
▲ 6	613992	GASKET, FILTER	1
▲ 7	613991	BOWL, CLEAR FILTER	1
8	630146	PLUG, 3/8 NPT NYLON	1
9	601483	FITTING, 3/8M X 3/8F TEE STR	1
10	14884	FITTING, BRS STR BM08/PM06	1
11	54333	CLAMP, HOSE WORM 0.31-0.88D	5
12	613518	HOSE, VYL, CLR, 0.50ID 0.75OD (611259)	0.670 FT.
13	582505	●VALVE, SOLENOID 240V 1/2"	1
	614265	●KIT, WATER, VALVE, REBUILD	1
14	069762095	SCREW, 10-24X1/4 SKSET	2

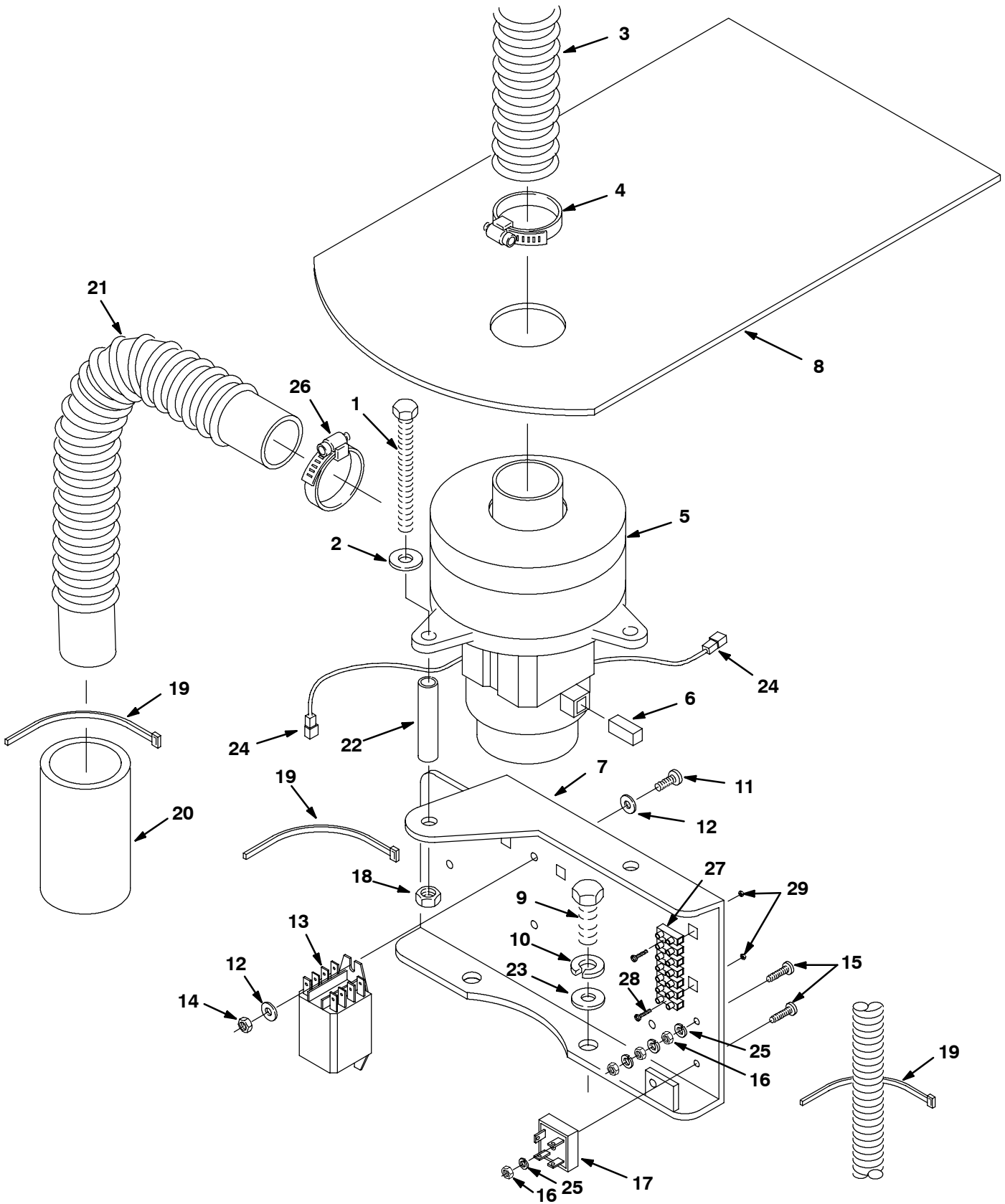
REF	PART #	DESCRIPTION	QTY.
15	601472	COUPLING	1
16	601473	ROD, WATER VALVE	1
17	626121	KNOB, WATER VALVE	1
18	140016	WASHER, LOCK 0.25	2
19	15678	SCREW, HEX M6X1.0X16	2
20	069760725	HOSE, VYL, CLR, 0.50ID 0.75OD (611259)	0.250 FT.
21	630164	FITTING, PLSTC STR BM08/BM04	1
22	579259	SCREW, PAN M04X0.7X12	2
23	02938	WASHER, LOCK INT #8	2
24	200301014	WASHER, M4.3X10.1X1 FLT	2
25	140328	CLAMP, CABLE 3/8ID BLACK NY	2
26	578569	HOSE, PYU, 0.25ID 0.38OD 4.50L (578095000)	4.000 IN.
N/S	604708	CORDSET, SOLENIOD VALVE	1

▽ ASSEMBLY / CONJUNTO

▲ INCLUDED IN ASSEMBLY / INCLUIDO EN EL CONJUNTO

● RECOMMENDED STOCK ITEMS / ARTICULOS RECOMENDADOS PARA MANTENER EN EXISTENCIA

VACUUM MOTOR GROUP
CONJUNTO DEL MOTOR DE ASPIRACIÓN



VACUUM MOTOR GROUP
CONJUNTO DEL MOTOR DE ASPIRACIÓN

REF	PART #	DESCRIPTION	QTY.
1	630432	SCREW, HEX M6X1.0X50	2
2	140000	WASHER, FLAT 0.28B 0.62D	2
3	160426	●HOSE, VAC 1.5DX15L W/CUFF	1
4	614157	CLAMP, HOSE 27MM TO 51MM	1
▽ 5	601480	●FAN, VACUUM 5.7D 2S 240V 1.5	1
▲ 6	190158	●BRUSH, CARBON 2/PK	1
7	601463	BRACKET, VAC MOTOR	1
8	604710	SHEILD, VAC MOTOR	1
9	15678	SCREW, HEX M6X1.0X16	2
10	140016	WASHER, LOCK 0.25	2
11	579259	SCREW, PAN M4X0.7X12 PHL	2
12	578186000	WASHER, FLAT M4	4
13	604709	●RELAY, 25A 250VAC	1
14	33932	NUT, HEX LOCK M4X0.7 NL	2
15	578302000	SCREW, PAN M5X0.8X20 PHL	2

REF	PART #	DESCRIPTION	QTY.
16	140297	NUT, STD M5X0.8 HEX	4
17	130304	●RECTIFIER, BRIDGE 600V 15AMP	1
18	08712	NUT, HEX LOCK M6X1.0 NL	2
19	130041	TIE, WIRE 11-1/2 X .19 NY	3
20	600009	MUFFLER, VAC EXHAUST	1
21	160459	●HOSE, VACUUM 1.5DX16L BLACK	1
22	019686096	SPACER, 6.4X12.7X28	2
23	140000	WASHER, FLAT 0.28B 0.62D	2
24	130133	TERMINAL, MALE .25 22-18 VI RED	2
25	200655016	WASHER, M5.1 LOCK	4
26	140308	CLAMP, HOSE 1-5/16 TO 2-1/4	1
27	578013000	TERMINAL BLOCK (EMC MODEL)	1
28	140879	SCREW, 6-32X3/4 (EMC MODEL)	2
29	140534	NUT, 6-32 (EMC MODEL)	2

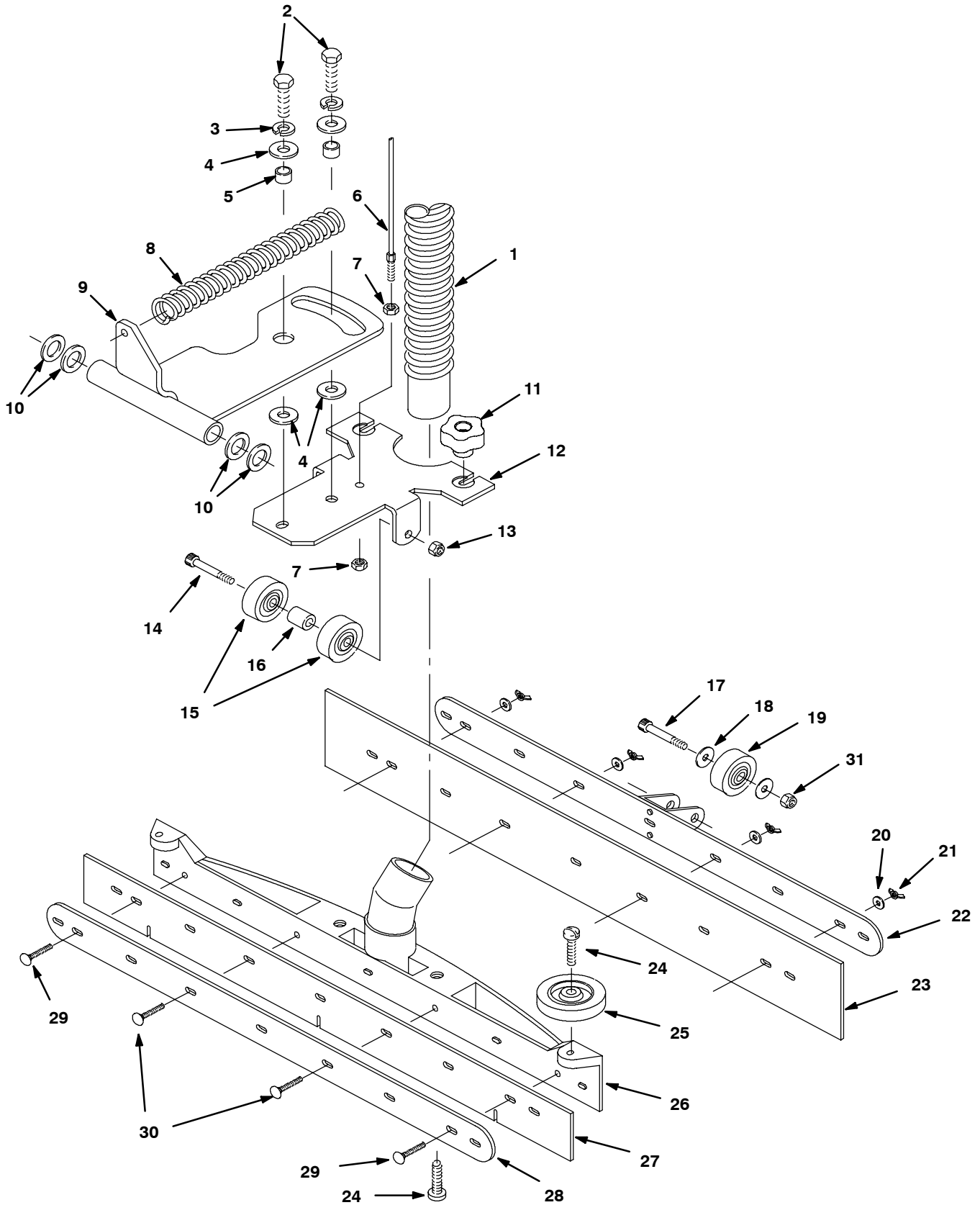
1036349

▽ ASSEMBLY / CONJUNTO

▲ INCLUDED IN ASSEMBLY / INCLUIDO EN EL CONJUNTO

● RECOMMENDED STOCK ITEMS / ARTICULOS RECOMENDADOS PARA
MANTENER EN EXISTENCIA

SQUEEGEE GROUP
CONJUNTO PALETA



SQUEEGEE GROUP
CONJUNTO PALETA

REF	PART #	DESCRIPTION	QTY.
1	160617	●HOSE, VAC 1-1/2"X24" W/CUFFS	1
2	140237	SCREW, HEX .50-13X1.00	2
3	140024	WASHER, LOCK 0.50	2
4	140045	WASHER, 0.51B 1.25D .06 FLT	4
5	140139	SLEEVE, 0.625D 0.50B 0.25L	2
6	601428	CABLE, SQUEEGEE	1
7	601476	NUT, 1/4-20 LOCK TWO-WAY	2
8	603149	SPRING, EXT .65 X 5.00 X .069	1
9	603163	BRACKET, SQ. PIVOT	1
10	140047	WASHER, FLAT 1.246 X .754 X .062	4
11	1011094	●KNOB, RND 1.50IN DIA 5 EAR	2
12	601451	BRACKET, SQUEEGEE MOUNT	1
13	601108000	NUT, 5/16-18 HXLCK THIN NY	1
14	603144	BOLT, SHLD .38D X 3.00	1
15	630477	●WHEEL, 2.0D 0.38W POLY GRAY	2
16	603368	SPACER, .39 X .75 X .75 NY	1
▽	605856	ASM., SQUEEGEE GUM RUBBER	1
▲	600187	BOLT, SHLD .38D X 1.25, .31-18	1
▲	140028	WASHER, FLAT .38	2
▲	630477	●WHEEL, 2.0D 0.38W POLY GRAY	1

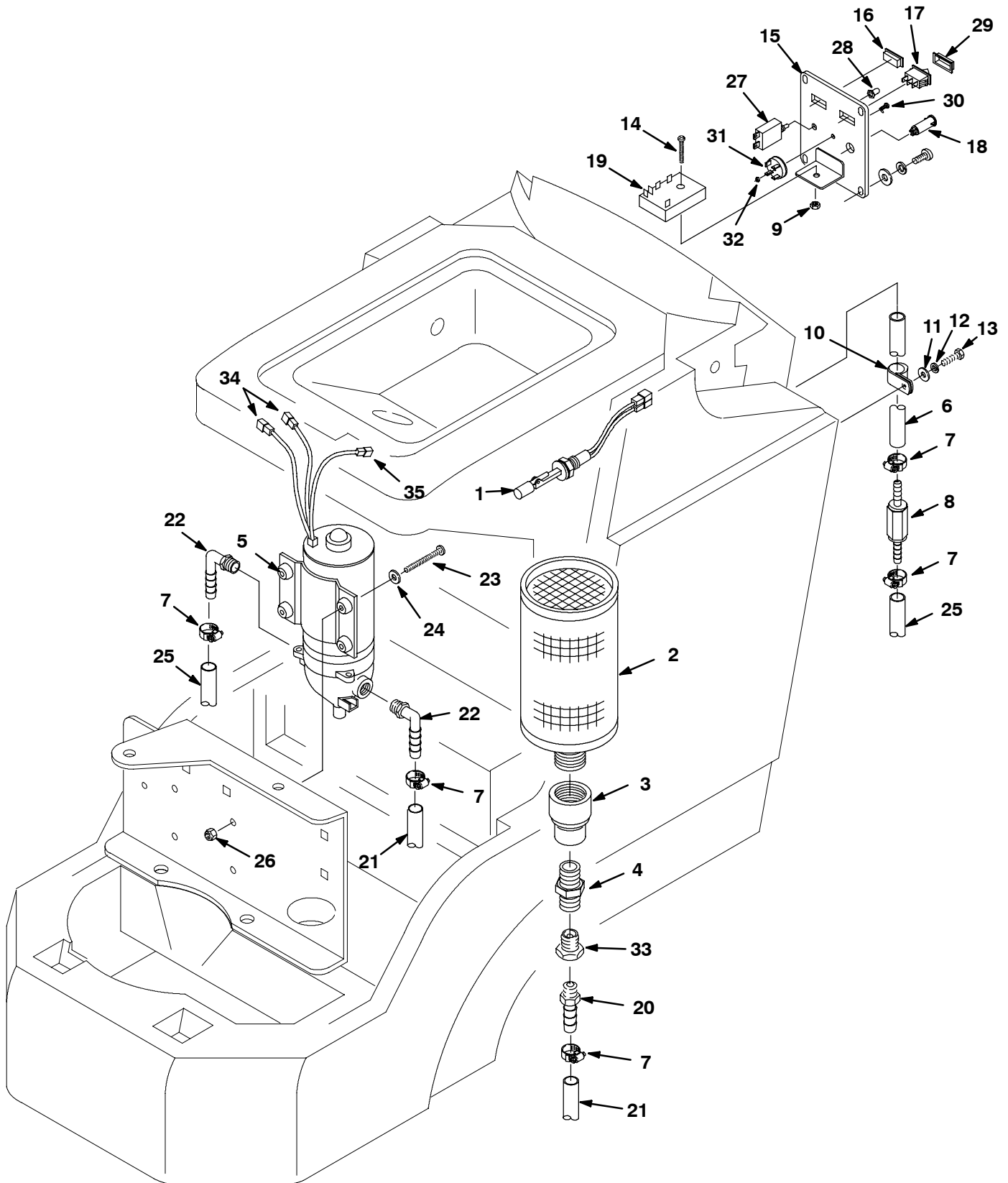
REF	PART #	DESCRIPTION	QTY.
▲	20	140000 WASHER, FLAT 1/4	4
▲	21	140536 NUT, WING .25-20	4
▲	22	601457 STRIP, REAR RETAINER	1
▲	23	601455 ●BLADE, SQ. REAR GUM	1
		601486 ●BLADE, SQ. REAR LINATEX (OPTION)	1
		601488 ●BLADE, SQ. REAR URETHANE (OPTION)	1
▲	24	140799 SCREW, TRS 5/16-18X1.50 PHL	4
▲	25	1014918 ●WHEEL, RBR 3"X1" W/BUSHING	2
▲	26	601450 CASTING, SQUEEGEE	1
▲	27	601454 ●BLADE, SQ. FRONT GUM	1
		601485 ●BLADE, SQ. FRONT LINATEX (OPTION)	1
		601487 ●BLADE, SQ. FRONT URETHANE (OPTION)	1
▲	28	601456 STRIP, FRONT RETAINER	1
▲	29	612184000 BOLT, CARRIAGE .25-20X1.5	2
▲	30	612186000 BOLT, CARRIAGE .25-20X2.5	2
▲	31	601108000 NUT, 5/16-18 HXLCK THIN NY	1

▽ ASSEMBLY / CONJUNTO

▲ INCLUDED IN ASSEMBLY / INCLUIDO EN EL CONJUNTO

● RECOMMENDED STOCK ITEMS / ARTICULOS RECOMENDADOS PARA MANTENER EN EXISTENCIA

ES™ (EXTENDED SCRUB) KIT
CONJUNTO DEL SISTEMA ES™



**ES™ (EXTENDED SCRUB) KIT
CONJUNTO DEL SISTEMA ES™**

REF	PART #	DESCRIPTION	QTY.
	603168	●KIT, ES™ & WAND PUMP	1
▽	603169	●KIT, EXTENDED SCRUB (ES™)	1
▲ 1	603166	●SENSOR, LIQUID LEVEL 28VDC	1
▲ 2	578445	●FILTER, SCREEN 100 MESH	1
▲ 3	601484	FITTING, STR PF12/1" F REDUCER	1
▲ 4	630385	FITTING, PLSTC STR PM12/PM12	1
▲ 5	180109	●PUMP, SOL 100PSI 230VAC	1
▲ 6	606363	HOSE, 0.38ID 0.60OD (376720)	1.083 FT.
▲ 7	54333	CLAMP, HOSE WORM 0.31-0.88	5
▲ 8	210044	●VALVE, CHECK GPM 1PSI	1
▲ 9	09739	NUT, HEX LOCK M5X0.8 NL	1
▲ 10	140316	CLAMP, CABLE INSULATED 1/2ID	1
▲ 11	140000	WASHER, FLAT 0.28B 0.62D .04	1
▲ 12	140016	WASHER, LOCK 0.25	1
▲ 13	608322	SCREW, TRS M6X1.0X16 PHL	1
▲ 14	578008000	SCREW, PAN M05X0.8X30 PHL	1
▲ 15	601416	PANEL, ACCESSORY ES/WAND	1
▲ 16	582150	BUTTON, PLUG, ACSRY SWITCH	1
▲ 17	578005000	●SWITCH, ROCKER SPST	1

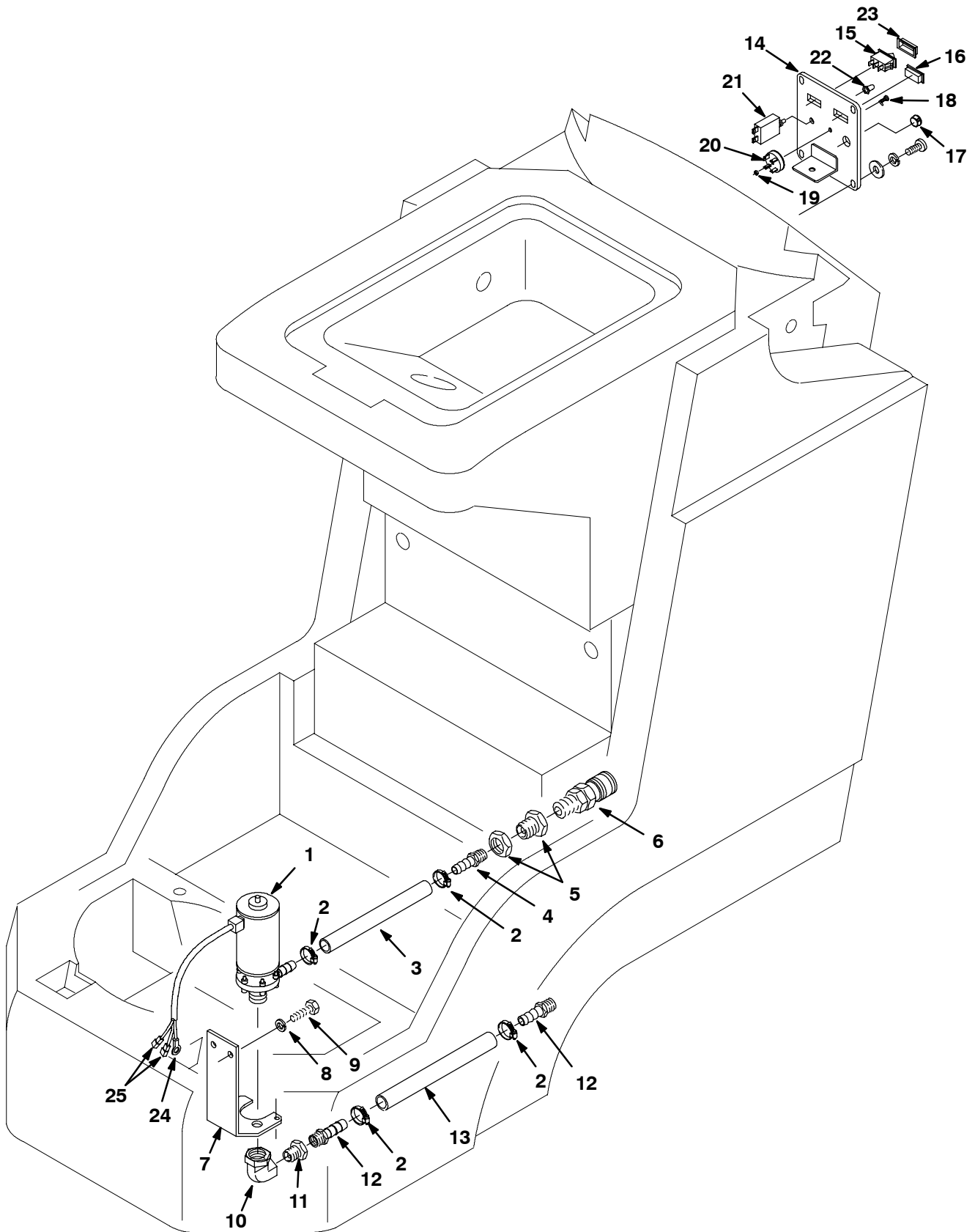
REF	PART #	DESCRIPTION	QTY.
▲ 18	130691	LIGHT, INDICATOR 250VAC GRN	1
▲ 19	582508	●TIMER, 230VAC RANGE: 30SEC	1
▲ 20	150538	FITTING, PLSTC STR PM06/BM06	1
▲ 21	606317	HOSE, 0.38ID 0.60OD (376720)	1.625 FT.
▲ 22	150412	FITTING, PLSTC E90 PM06/BM06	2
▲ 23	140293	SCREW, PAN M5X0.8X30 PHL	4
▲ 24	19066	WASHER, FLAT #10	4
▲ 25	376720	HOSE, 0.38ID 0.60OD (376720)	3.333 FT.
▲ 26	09739	NUT, HEX LOCK M5X0.8 NL	4
▲ 27	582514	●CIRCUITBREAKER, 0.5A	1
▲ 28	578734	SEAL, SPLASH CIRCUITBREAKER	1
▲ 29	578720	SPLASH GUARD, RCKR SWITCH	1
▲ 30	200070266	SCREW, PAN M3X.5X16 PHL	1
▲ 31	130288	●RECTIFIER, BRIDGE RND 12A	1
▲ 32	579211	NUT, HEX LOCK M3X.5	1
▲ 33	630252	FITTING, BRS PM12/PF06 BUSHING	1
▲ 34	130133	TERMINAL, MALE .25 22-18 VI RED	2
▲ 35	130142	CONNECTOR, BUTT RED 22-18	1

▽ ASSEMBLY / CONJUNTO

▲ INCLUDED IN ASSEMBLY / INCLUIDO EN EL CONJUNTO

● RECOMMENDED STOCK ITEMS / ARTICULOS RECOMENDADOS PARA MANTENER EN EXISTENCIA

WAND PUMP KIT
CONJUNTO DE LA BOMBA DEL TUBO



**WAND PUMP KIT
CONJUNTO DE LA BOMBA DEL TUBO**

REF	PART #	DESCRIPTION	QTY.
	603168	●KIT, ES™ & WAND PUMP	1
▽	603170	●KIT, WAND PUMP	1
▲ 1	582506	●PUMP, 230VDC 3/4NPT 3/8H	1
▲ 2	54333	CLAMP, HOSE WORM 0.31-0.88D	4
▲ 3	607308	HOSE, 0.38ID 0.60OD (376720)	0.667 FT.
▲ 4	150516	FITTING, BRS STR PM04/BM06 T	1
▲ 5	150300	FITTING, STR PF04/PF04 BKHD	1
▲ 6	608292	QUICK CONN., FML 3/8"X1/4" NPT	1
▲ 7	601479	BRACKET, WAND PUMP	1
▲ 8	140016	WASHER, LOCK 0.25	2
▲ 9	200031433	SCREW, HEX M6 X 1.0 X 12	2
▲ 10	630251	FITTING, PIPE E90 PF12/PF12	1
▲ 11	630252	FITTING, PM12/PF06 BUSHING	1
▲ 12	150538	FITTING, PLSTC STR PM06/BM06	2

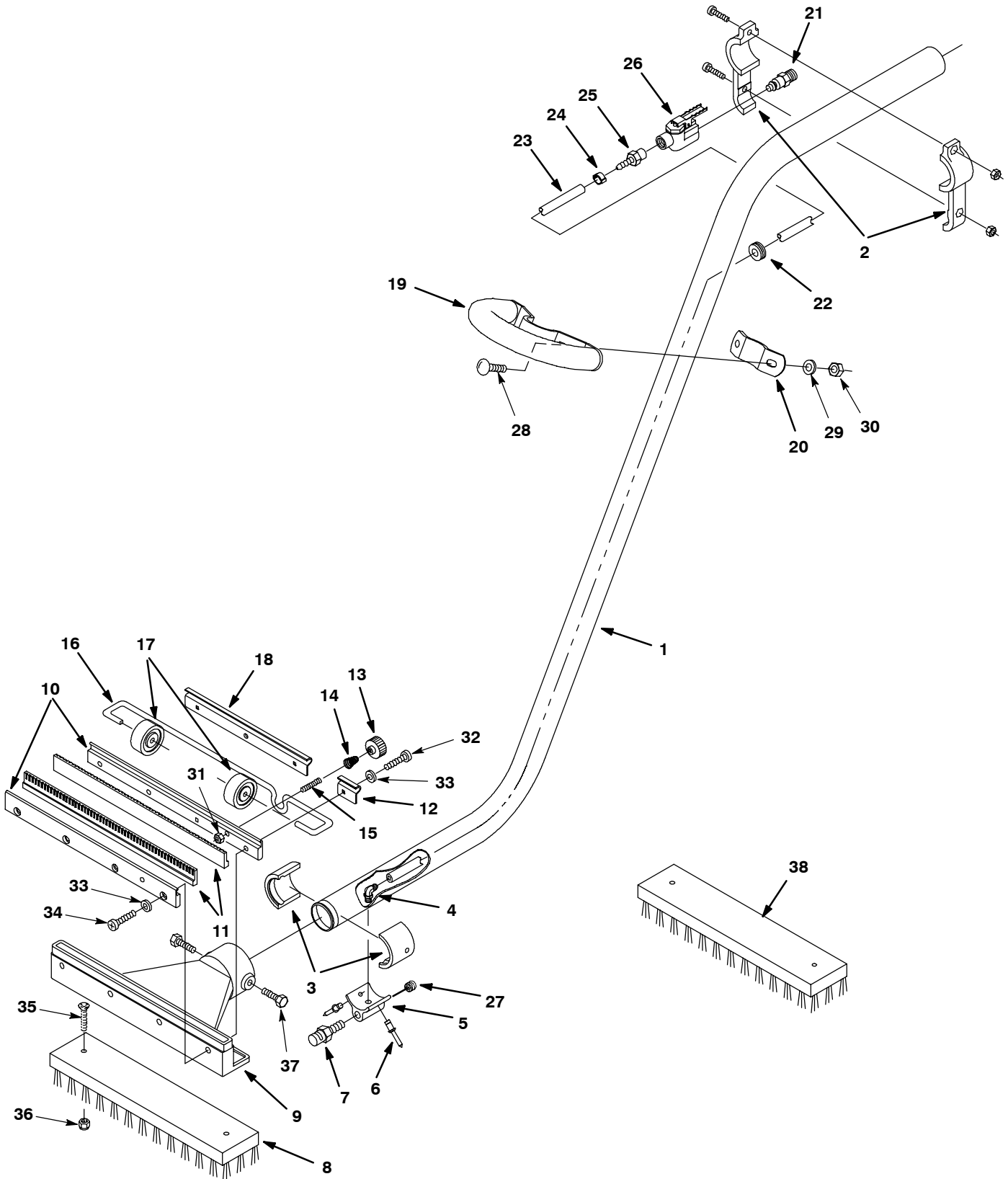
REF	PART #	DESCRIPTION	QTY.
▲ 13	606325	HOSE, 0.38ID 0.60OD (376720)	2.000 FT.
▲ 14	601416	PANEL, ACCESSORY ES/WAND	1
▲ 15	578005000	●SWITCH, ROCKER SPST	1
▲ 16	582150	BUTTON, PLUG, ACCESS. SWITCH	1
▲ 17	069764626	PLUG, HOLE 012.7	1
▲ 18	200070266	SCREW, PAN M3 X .5 X 16 PHL	1
▲ 19	579211	NUT, HEX LOCK M3 X .5	1
▲ 20	130288	●RECTIFIER, BRIDGE RND 12A	1
▲ 21	582514	●CIRCUITBREAKER, 0.5A	1
▲ 22	578734	SEAL, SPLASH CIRCUITBREAKER	1
▲ 23	578720	SPLASHGUARD, RCKR SWITCH	1
▲ 24	130125	TERMINAL, RING #10 16-14 NI	1
▲ 25	130133	TERMINAL, MALE .25 RED	2

▽ ASSEMBLY / CONJUNTO

▲ INCLUDED IN ASSEMBLY / INCLUIDO EN EL CONJUNTO

● RECOMMENDED STOCK ITEMS / ARTICULOS RECOMENDADOS PARA
MANTENER EN EXISTENCIA

DELUXE POWER WAND GROUP
GRUPO DEL TUBO ELÉCTRICO DELUXE



**DELUXE POWER WAND GROUP
GRUPO DEL TUBO ELÉCTRICO DELUXE**

REF	PART #	DESCRIPTION	QTY.
∇	578905000	●ASM., DELUXE POWER WAND	1
▲ 1	578060000	WAND, DOUBLE BEND	1
▲ 2	578077000	BRACKET, VALVE MOUNTING	1
▲ 3	578061000	ADAPTER, HEAD/WAND	2
▲ 4	578214000	FITTING, 1/8MX1/4H ELBOW 90 NY	1
▲ 5	579112	FITTING, SPRAY NOZZLE ADPTR	1
▲ 6	579198	RIVET, POP	2
▲ 7	578066000	●FITTING, TIP 75_ 1/8K-JET BRS	1
▲ 8	578073000	●BRUSH, DECK, POLYPRO BLOCK 4 ROWS NTRL CRIMP POLYSTAR	1
▲ 9	578063000	HEAD, WAND	1
▲ 10	578078000	RETAINER, SQUEEGEE	2
▲ 11	578074000	●BLADE, SQUEEGEE	2
▲ 12	578124000	BRACKET, AXLE 1 HOLE	1
▲ 13	578439	NUT, M6X1.0 THUMB	1
▲ 14	613732	SPRING, CONICAL COMP 15MM	1
▲ 15	578143000	SCREW, SET M6X1.0X40 CUPPT	1
▲ 16	578126000	AXLE, WAND	1
▲ 17	578125000	●WHEEL, RUBBER 41.3D 19.1W	2
▲ 18	578123000	BRACKET, AXLE 3 HOLE	1
▲ 19	578155000	WELDMENT, HANDLE WAND	1

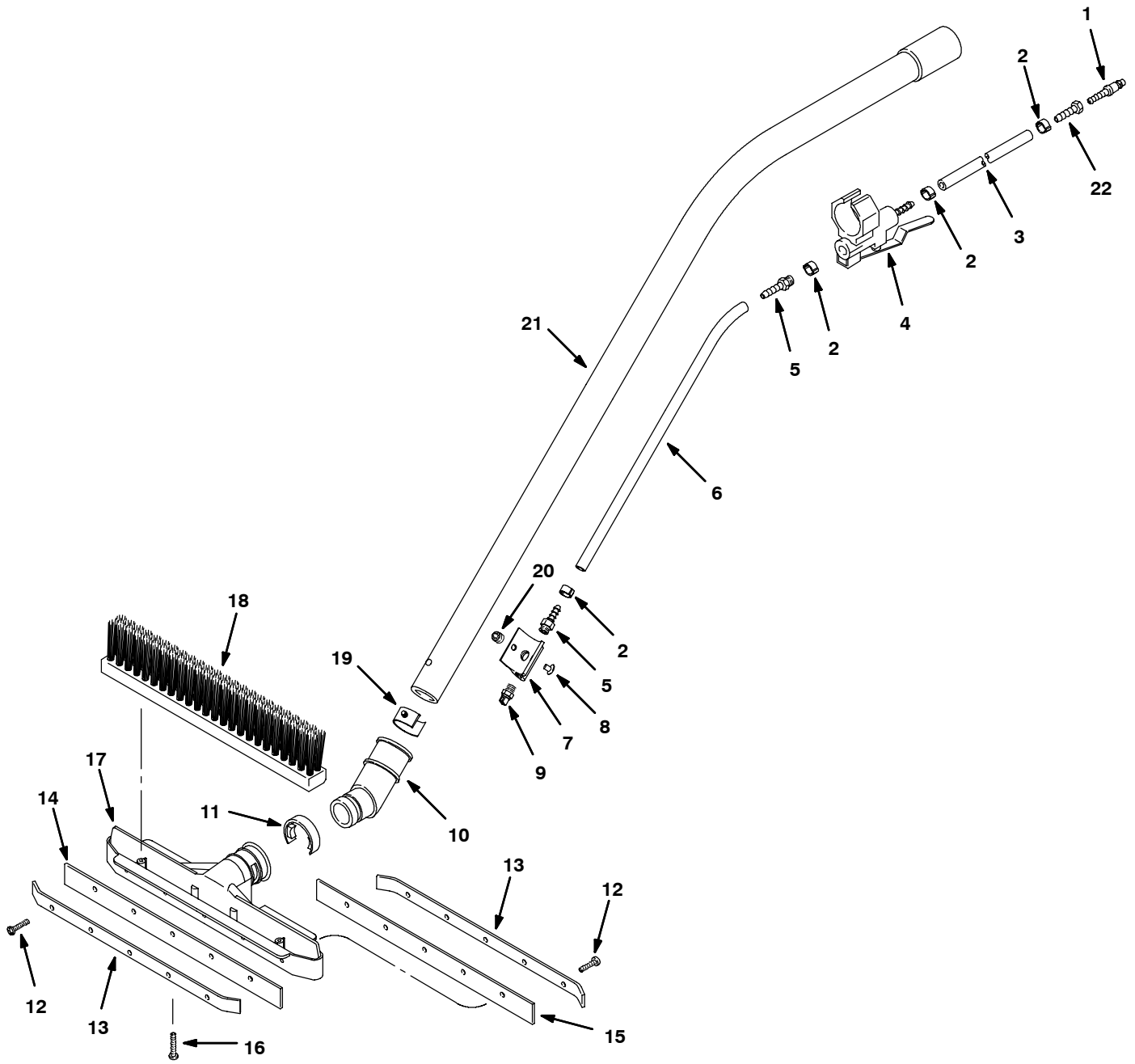
REF	PART #	DESCRIPTION	QTY.
▲ 20	578154000	BRACKET, HANDLE	1
▲ 21	578091000	●FITTING, 1/4M QD CPLR PLUG BR	1
▲ 22	578164000	GROMMET, 0.38ID, 0.62GD, .06GW	1
▲ 23	578821000	●HOSE, SOLUTION 1/4"ID	1
▲ 24	578161000	CLAMP, HOSE 8-11MM EAR	1
▲ 25	578094000	FITTING, 1/4HX1/4NPT BARB	1
▲ 26	578064000	●VALVE, WATER CONTROL	1
▲ 27	150208	FITTING, 1/8M PLUG BRS SKHD	1
▲ 28	20399	BOLT, CARRIAGE .25-20 X 0.75	2
▲ 29	200304017	WASHER, FLAT M6.4 X 13 X 1.6	2
▲ 30	41169	NUT, HEX LOCK .25-20 NL	2
▲ 31	07785	NUT, HEX STD M6 X 1.0	1
▲ 32	578141000	SCREW, PAN M5 X 8.0 X 10 PHL	4
▲ 33	07514	WASHER, LOCK INT #10, SS	8
▲ 34	578144000	SCREW, PAN M5 X 8.0 X 16 PHL	4
▲ 35	578566	SCREW, 4 X 30 FLTPHL	2
▲ 36	33932	NUT, HEX LOCK, M4 X .7 NL, SS	2
▲ 37	140885	SCREW, TRS .25-20 X 0.50 PHL	2
38	65582	●BRUSH, SCRUB ABRASIVE NTRL NYLON 80GRIT (OPTIONAL)	1

∇ ASSEMBLY / CONJUNTO

▲ INCLUDED IN ASSEMBLY / INCLUIDO EN EL CONJUNTO

● RECOMMENDED STOCK ITEMS / ARTICULOS RECOMENDADOS PARA
MANTENER EN EXISTENCIA

POWER WAND GROUP
GRUPO DEL TUBO ELÉCTRICO



**POWER WAND GROUP
GRUPO DEL TUBO ELÉCTRICO**

REF	PART #	DESCRIPTION	QTY.
∇	579908	●WAND ASM., POWER	1
▲ 1	578091000	●FITTING, 1/4M QD CPLR PLUG	1
▲ 2	578160000	CLAMP, HOSE, 11-13MM EAR	4
▲ 3	613536	●HOSE, 1/4ID X .400M	1
▲ 4	579107	●VALVE, WATER FLOW CNTRL	1
▲ 5	150525	FITTING, 1/8M X 1/4H BARB BRS	2
▲ 6	613537	●HOSE, 1/4ID X 1.083M	1
▲ 7	579112	FITTING, SPRAY NOZZLE ADPTR	1
▲ 8	579198	RIVET, POP	2
▲ 9	579137	●FITTING, TIP, 9508 1/8V-JET BRS	1
▲ 10	579113	SWIVEL, WAND ATTACHMENT	1
▲ 11	579132	RING, ATTACHMENT	1

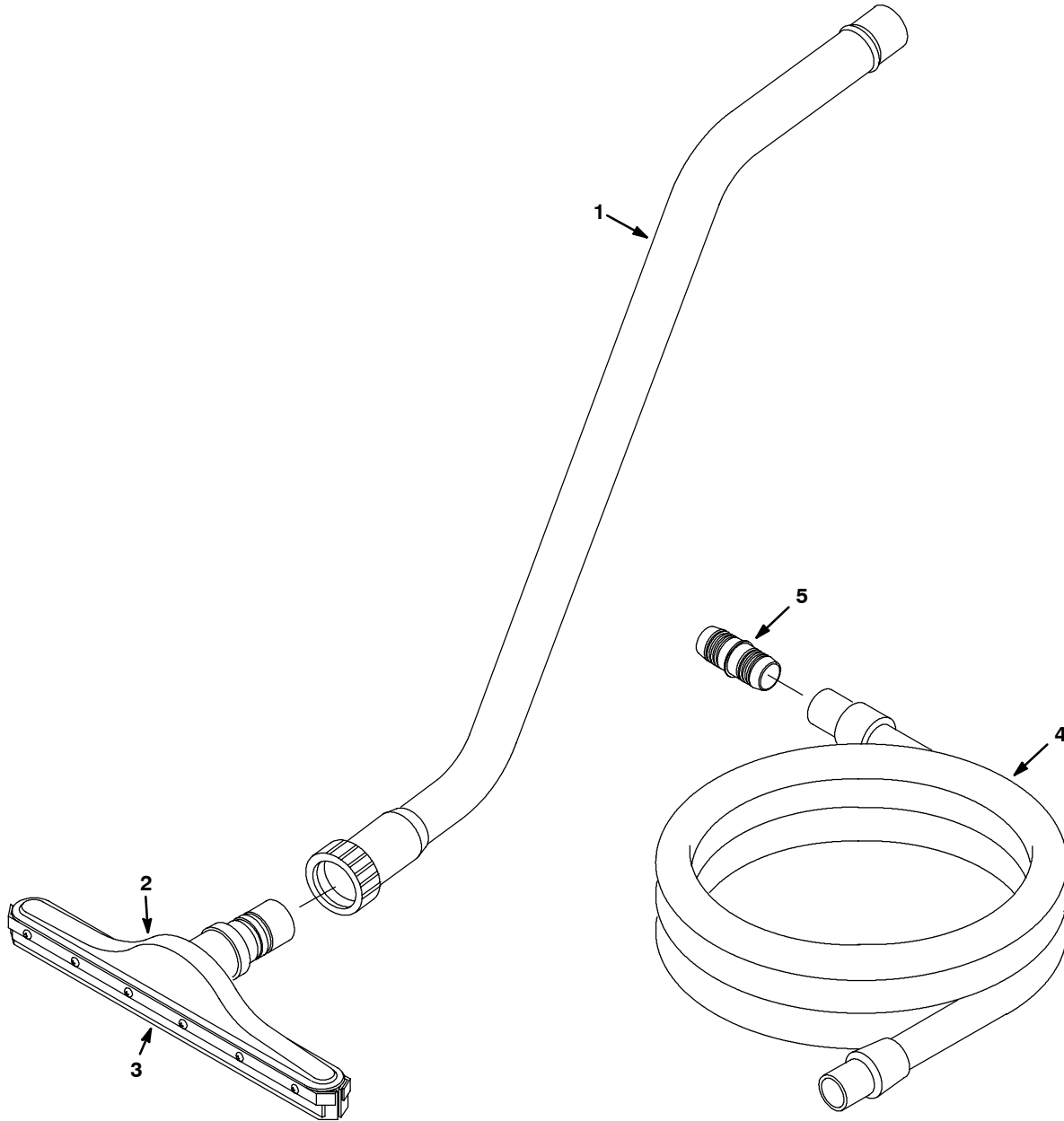
REF	PART #	DESCRIPTION	QTY.
▲ 12	579135	SCREW, SELF TD UNITED	10
▲ 13	579103	RETAINER, WAND BLADE	2
▲ 14	579239	●BLADE, SQUEEGEE, FRONT	1
▲ 15	579230	●BLADE, SQUEEGEE, REAR	1
▲ 16	579147	SCREW, #6X1-1/2 PANHD SLFTPG	2
▲ 17	579101	HEAD, WAND	1
▲ 18	579102	●BRUSH, WAND TWO ROW	1
▲ 19	579187	CLIP, SPRING	1
▲ 20	150208	FITTING, 1/8M PLUG BRS SKHD	1
▲ 21	579109	WAND, SINGLE BEND	1
▲ 22	150510	FITTING, 1/4F X 1/4H BARB BRS	1

∇ ASSEMBLY / CONJUNTO

▲ INCLUDED IN ASSEMBLY / INCLUIDO EN EL CONJUNTO

● RECOMMENDED STOCK ITEMS / ARTICULOS RECOMENDADOS PARA
MANTENER EN EXISTENCIA

**WET PICK-UP TOOL KIT
KIT DE HERRAMIENTA MOJADO**



REF	PART #	DESCRIPTION	QTY.
▽	190928	●KIT, WET PICK-UP	1
▲▽ 1	6108.1	●WAND, TWO BEND ALUMINUM	1
▲	605257	●RING, LOCK	1
▲	600828	●NUT, WAND COUPLING	1
▲▽ 2	13840	●SQUEEGEE ASSEMBLY, PUSH/PULL, 355 MM (14 IN)	1
▲ 3	605137	●BLADES, REPLACEMENT (SET/4)	1

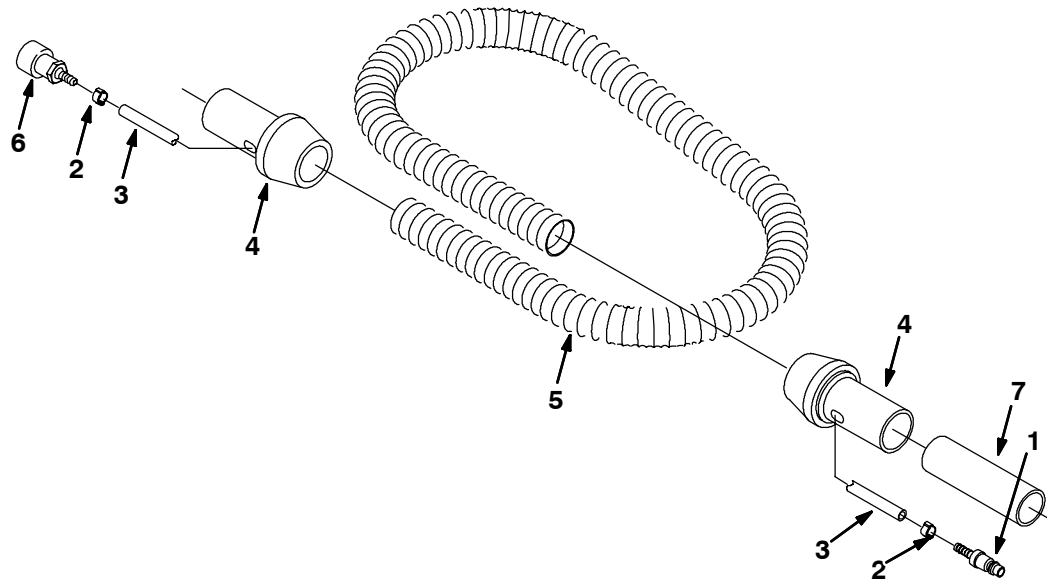
REF	PART #	DESCRIPTION	QTY.
▲ 4	160481	●HOSE, VAC, 1-1/2X3 M (10 FT)	1
▲ 5	160451	●CONNECTOR, 1-1/2 VAC HOSE	1

▽ ASSEMBLY / CONJUNTO

▲ INCLUDED IN ASSEMBLY / INCLUIDO EN EL CONJUNTO

● RECOMMENDED STOCK ITEMS / ARTICULOS RECOMENDADOS PARA MANTENER EN EXISTENCIA

**POWER WAND HOSE GROUP
CONJUNTO DE LA MANGUERA DEL TUBO ELÉCTRICO**



REF	PART #	DESCRIPTION	QTY.
▽	578903000	●HOSE ASM., POWER WAND	1
▲ 1	578318000	●FITTING, 3/8M X 1/4H QC	1
▲ 2	140325	CLAMP, HOSE EAR, 0.50D, SS	2
▲ 3	578820000	HOSE, .25ID, .44OD, 4.0M LG	1
▲ 4	578072000	●CUFF, SWIVEL, 1-1/2	2

REF	PART #	DESCRIPTION	QTY.
▲ 5	578276000	HOSE, VAC 1-1/2 X 10' GRAY	1
▲ 6	578071000	●CONNECTOR, QUICK FEMALE	1
▲ 7	231031	TUBE, 1.50"DIA X 5.0"LG	1

▽ ASSEMBLY / CONJUNTO

▲ INCLUDED IN ASSEMBLY / INCLUIDO EN EL CONJUNTO

● RECOMMENDED STOCK ITEMS / ARTICULOS RECOMENDADOS PARA
MANTENER EN EXISTENCIA